

Power Amplifier

1.5-2.5GHz /43dB Gain/37 dBm Psat

Model: TLPA1.5G2.5G-43-37

TLPA1.5G2.5G-43-37 is a power amplifier with a typical gain of 43 dB and Psat of 37 dBm across the frequency range of 1.5 to 2.5 GHz. The DC power requirement for the amplifier is +28 VDC/2 A. The input and output port configuration offers coax adapter structure with SMA female.

Features:

- Ultra Wide Band: 1.5-2.5GHz
- Gain: 43dB Typ
- Output Power Psat: 37dBm Min
- Good Power and Gain Flatness
- 50 Ohm Matched Input / Output

Applications:

- Cellular
- PCN
- GSM
- ISM
- Lab Test

电气特性 Electrical Characteristics:

参数 Parameter	Min	Typ	Max	单位 Units
频率范围 Frequency range		1.5-2.5		GHz
增益 Gain	40	43		dB
增益平坦度 Gain Flatness		±1.5	±2	dB
线性输出功率 Output P1dB	35	36		dBm
饱和输出功率 Output Psat	37			dBm
杂散 Spurious		-60		dBc
输入驻波 Input VSWR		1.5	2.5	:1
直流电压 DC Voltage		28		V DC
直流电流 DC Supply Current		2		A
阻抗 Impedance		50		Ohms

机械特性 Mechanical Specifications:

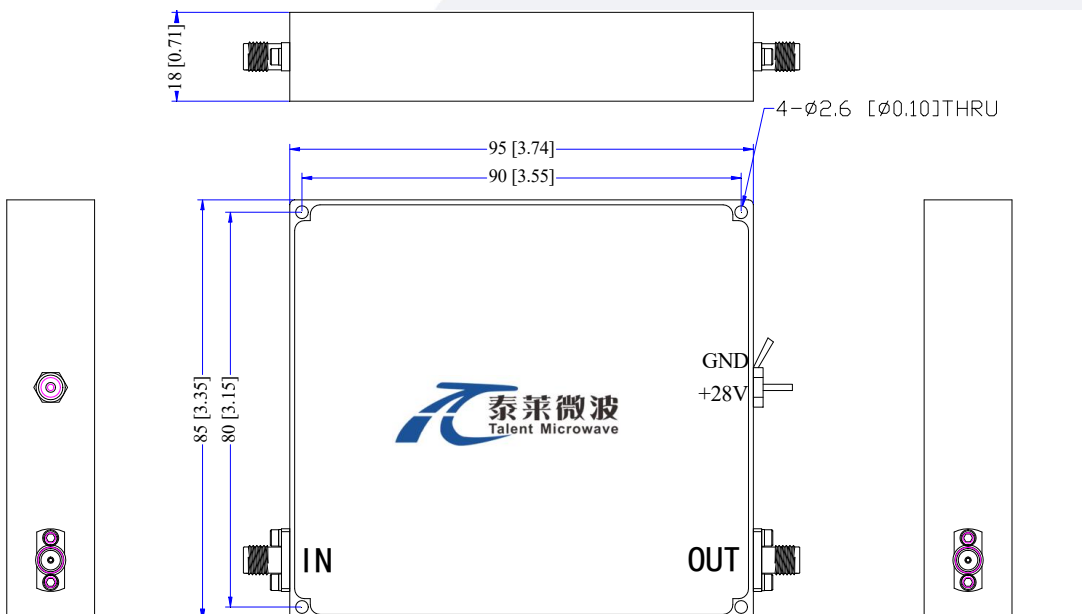
参数 Parameter	指标 Value	单位 Units
输入/输出接口 Input /Output Connector	SMA Female/SMA Female	
直流偏置 DC Bias	Solder Pin	
尺寸 Size	95*85*18	mm
重量 Weight	/	g

绝对最大值 Absolute Maximum Ratings:

参数 Parameter	指标 Value
供电偏置电压 Supply Bias Voltage	TBD
输入功率 RF Input Power	+8 dBm
ESD灵敏度 ESD sensitivity (HBm)	Class 0, passed 150V

外形图 Outline Drawing:

Unit:mm



*****Heat Sink Required During Operation**



OBSERVE PRECAUTIONS
ELECTROSTATIC SENSITIVE
DEVICES

温度环境 Environmental Conditions:

参数 Parameter	Min	Typ	Max	单位 Units
操作温度 Operating Temperature*	-30		+55	°C
存储温度 Non-operating Temperature*	-45		+85	°C
相对湿度 Relative humidity		95		%
海拔 Altitude	10,000			feet
震动 Shock / Vibration(MIL-STD-810F)	25g rms (15 degree 2KHz) endurance, 1 hour per axis			
冲击 Shock(non operating)	20G for 11msc half sin wave,3 axis both directions			

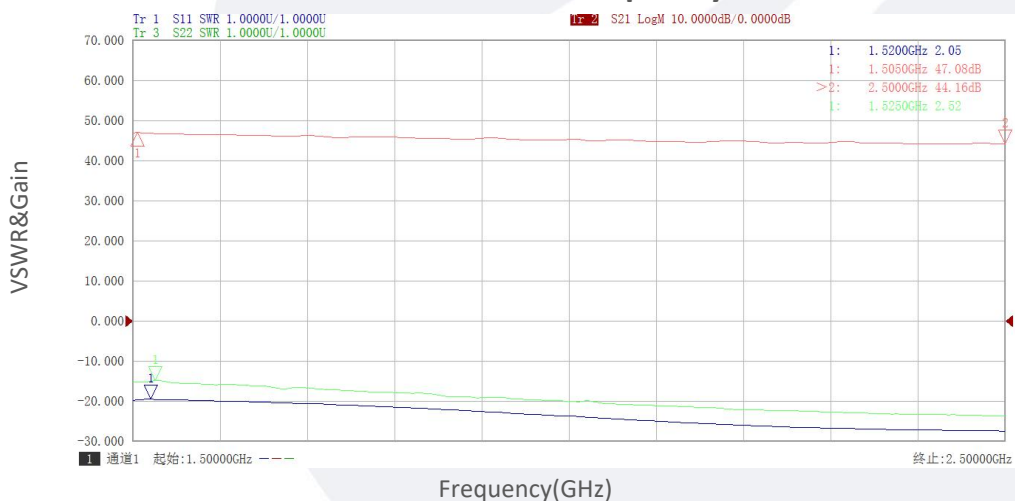
*Note: For a wider temperature range, please consult the manufacturer.

订货信息 Ordering Information:

标准型号 Base Number	描述 Description	版本号 Revision
TLPA1.5G2.5G-43-37	Power amplifier 1.5-2.5GHz,Gain:43dB,Psat:37dBm, +28V DC,Without Heatsink	Rev.1.1
TLPA1.5G2.5G-43-37-HS	Power amplifier 1.5-2.5GHz,Gain:43dB,Psat:37dBm, +28V DC,With Heatsink	Rev.1.1

典型曲线 Typical Performance Data:

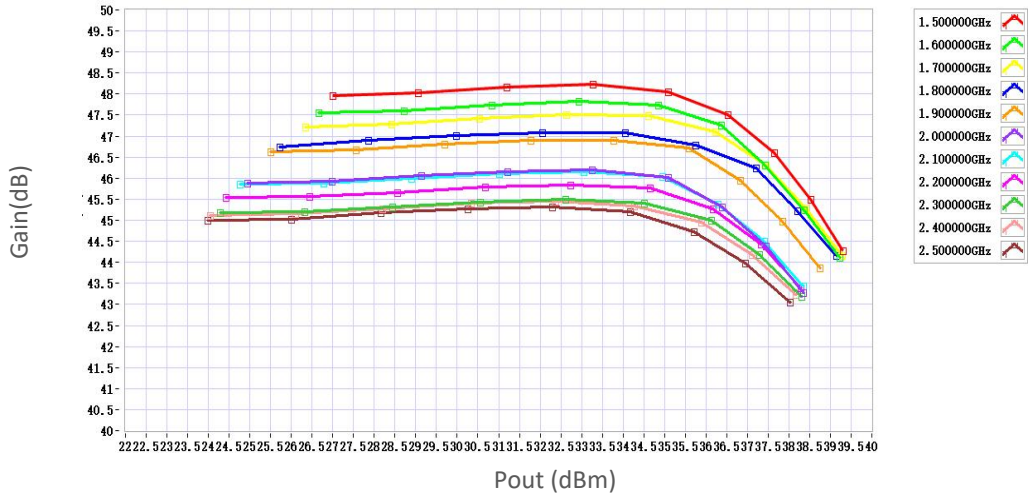
VSWR&Gain vs Frequency



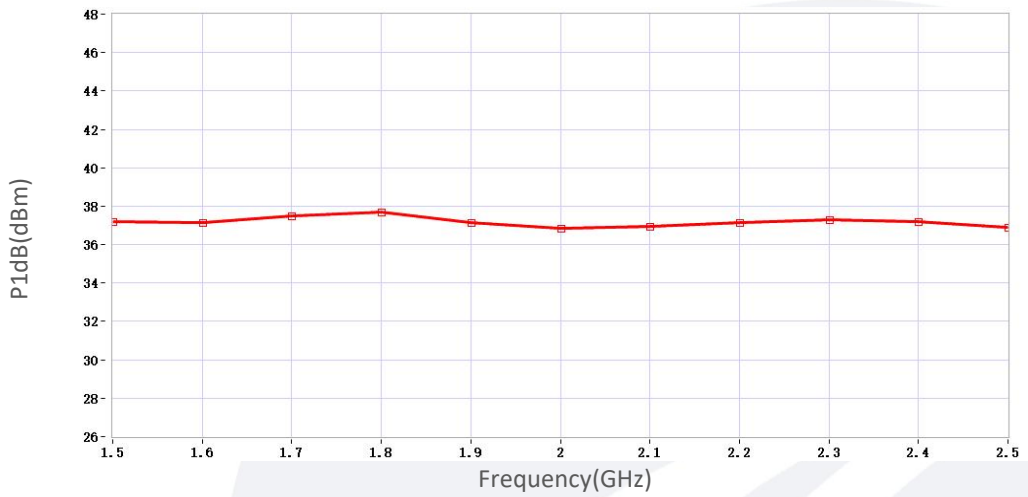
Note: Above data is for ref only, actual data may vary from unit to unit depending on operating environment and other factors like material lots etc.

典型曲线 Typical Performance Data:

Gain vs Output Power



P1dB vs Frequency



Note: Above data is for ref only, actual data may vary from unit to unit depending on operating environment and other factors like material lots etc.