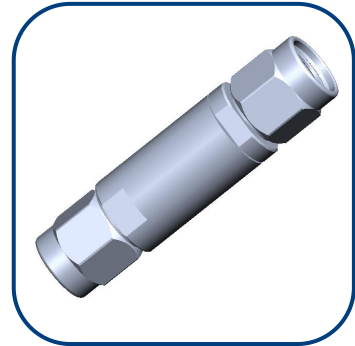


**Part No: TDCBSMSM**

5MHz-26.5GHz, 50V, SMA Male-Male DC Block

**电气特性 Electrical:**

工作频率 Frequency:	5MHz-26.5GHz
插损 Insertion Loss:	0.8 dBMax
驻波 VSWR:	1.20Max
工作电压 DC Voltage:	50 VOLTS
阻抗 Impedance:	50 OHMS



**机械特性 Mechanical:**

操作温度 Operation Temperature:	-55 ~ +165°C
存储温度 Storage Temperature:	-55 ~ +165°C
壳体 Body Material:	Stainless Steel 303
内导体 Center conductor:	Becu, Golden
接口 Connectors:	SMA Male to Male
相对湿度 Relative Humidity:	0 ~ 90%

**外形尺寸 Outline Drawing:**

Unit: mm(inches)

