

Model: TLVE-5075-16
**V-band VNA Frequency Extender
 50-75 GHz, WR-15**
Feature:

- Ultra Wide Band: 50-75 GHz
- Port Output Power (No Attenuation): 16dBm Typ
- Dynamic Range @ 10 Hz BW: 120dB Typ
- Unconditional stability


电气特性 Electrical Specifications:

参数 Parameter	Min	Typ	Max	单位 Units
频率范围 Frequency range	50-75			GHz
输出功率 Port Output Power		13		dBm
输入功率 Input Power (Damage)			20	dBm
输出功率衰减 Output Power Attenuation (Option: Variable attenuators)	0		30	dB
动态范围 Dynamic Range @10 Hz BW		120		dB
方向性 Directivity		30		dB
射频输入频率 RF Input Frequency	12.50		18.33	GHz
射频输入功率 RF Input Power	0		6	dBm
本振输入频率 LO Input Frequency	12.50		18.33	GHz
本振输入功率 LO Input Power	0		6	dBm
中频频率范围 IF Frequency Range	10		1000	MHz
倍频次数 Multiplication Factor		4		
幅度稳定度 Stability @ 300 Hz BW		±0.1		dB
相位稳定度 Phase Stability @ 300 Hz BW		±2.5°		

机械特性 Mechanical Specifications:

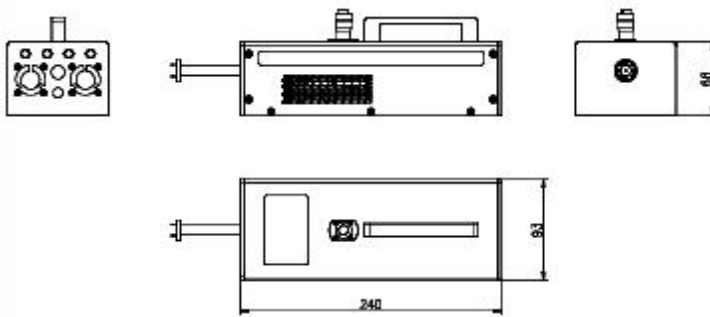
参数 Parameter	指标 Value
射频输入接口 RF Input Connector	SMA Female
本振输入接口 LO Input Connector	SMA Female
中频输出接口 IF Input Connector	SMA Female
射频输出接口 RF Output Connector	WR-15/UG-387
供电引脚 Power Supply Pin	FGG 0B 4 Core
尺寸 Size	240*93*68mm

绝对最大值 Absolute Maximum Ratings:

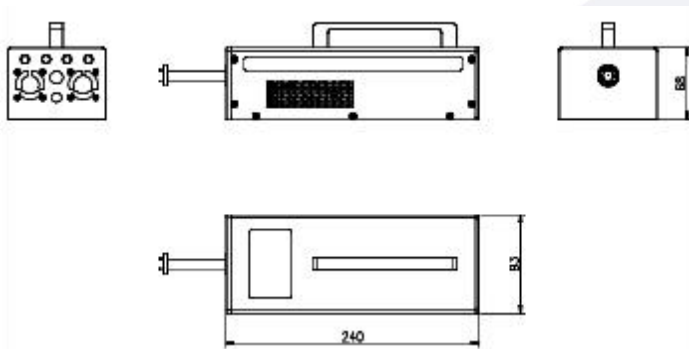
参数 Parameter	指标 Value
供电偏置电压 Supply Bias Voltage	240 V
输入功率 RF Input Power	+20 dBm

外形尺寸 Outline Drawing:

Unit: mm

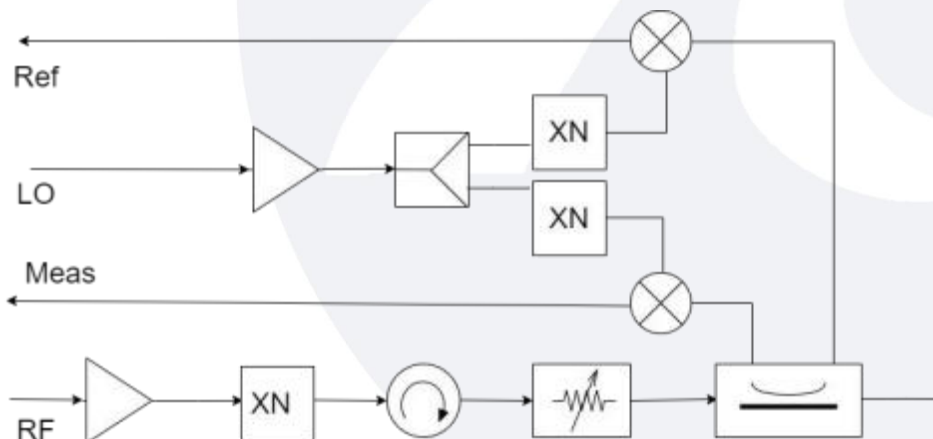


TLVE-5075-16-A



TLVE-5075-16

原理框图 Block Diagrams:



温度环境 Environmental Conditions:

参数 Parameter	Min	Typ	Max	单位 Units
操作温度 Operating Temperature	0		+50	°C
存储温度 Non-operating Temperature	-45		+125	°C
相对湿度 Relative humidity		95		%
海拔 Altitude	50,000			feet
震动 Shock / Vibration(MIL-STD-810F)	20g,11ms,saw-tooth			
冲击 Shock(non operating)	20G for 11msc half sin wave,3 axis both directions			

订货信息 Ordering Information:

标准型号 Part Number	描述 Description	版本号Revision
TLVE-5075-16	V-band VNA Frequency Extender, 50-75 GHz, Output Power:16 dBm typ., Dynamic Range:120 dB typ., Magnitude Stability @ 300 Hz BW:±0.1dB,Phase Stability @ 300 Hz BW:±2.5°	Rev.1.1
TLVE-5075-16-A	V-band VNA Frequency Extender, 50-75 GHz, Output Power:16 dBm typ., Dynamic Range:120 dB typ., Magnitude Stability @ 300 Hz BW:±0.1dB,Phase Stability @ 300 Hz BW:±2.5°, with Micrometer driven variable attenuators	Rev.1.1

随货配件 Components Included:

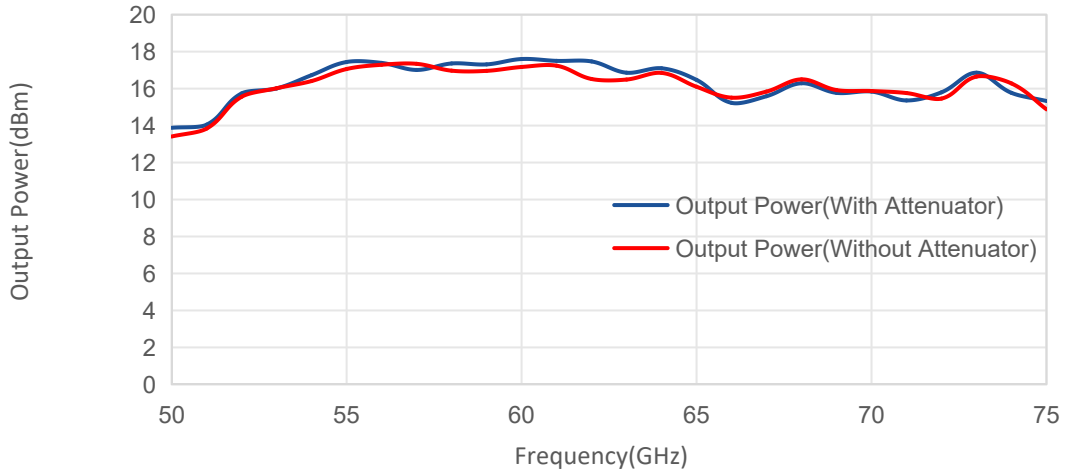
标准型号 Part Number	描述 Description	数量 Quantity
S1-SMAMSMAM-1.2m	Coaxial Cable Assembly	4 PCS
TLACTDC-22012	AC-to-DC Power Adapter	1 PCS

Notes:

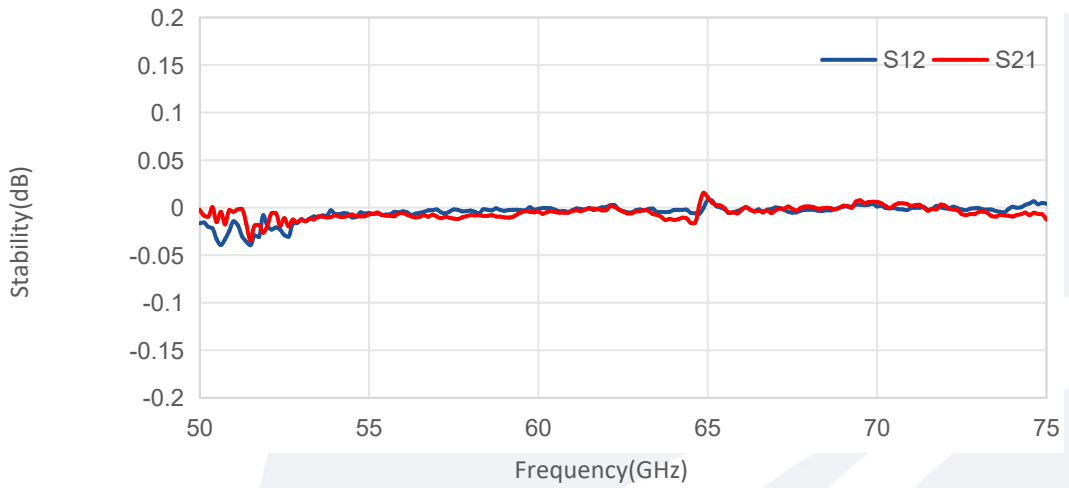
1. Dimensions and specifications may be changed without prior notice.
2. Standard Warranty:three years.

典型曲线 Typical Performance Data:

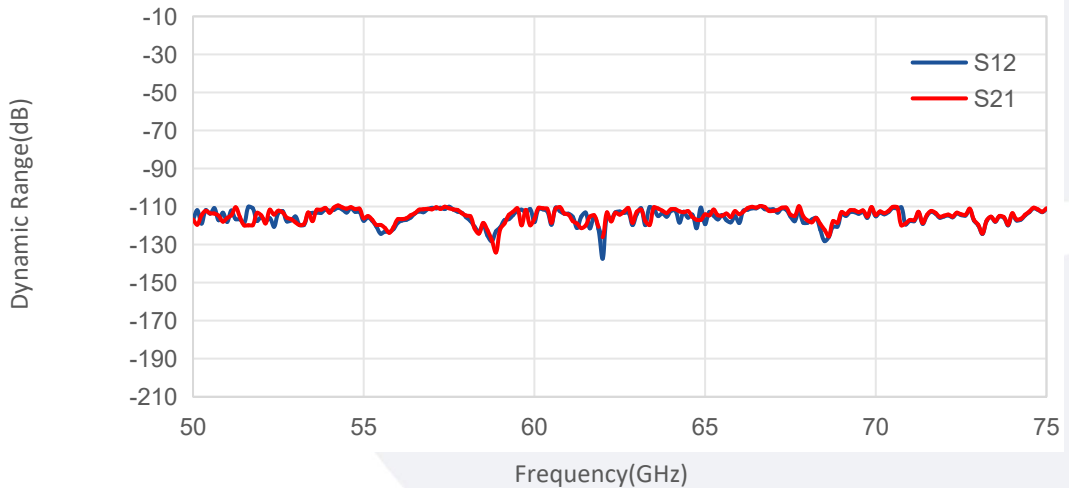
Output Power vs Frequency



Stability vs Frequency



Dynamic Range vs Frequency



Note: Above data is for ref only, actual data may vary from unit to unit depending on operating environment and other factors like material lots etc.