

Model: TLVE-6090-13

E-band VNA Frequency Extender 60-90 GHz, WR-12

Feature:

- Ultra Wide Band: 60-90 GHz
- Port Output Power (No Attenuation): 9dBm Typ
- Dynamic Range @ 10 Hz BW: 120dB Typ
- Unconditional stability



电气特性 Electrical Specifications:

参数Parameter	Min.	Typ.	Max.	单位Units
频率范围 Frequency range	60		90	GHz
输出功率 Port Output Power		9		dBm
输入功率 Input Power (Damage)			20	dBm
输出功率衰减 Output Power Attenuation (Option: Variable attenuators)	0		30	dB
动态范围 Dynamic Range @ 10 Hz BW		120		dB
方向性 Directivity		30		dB
射频输入频率 RF Input Frequency	10		15	GHz
射频输入功率 RF Input Power	5	8	10	dBm
本振输入频率 LO Input Frequency	10		15	GHz
本振输入功率 LO Input Power	5	8	10	dBm
中频频率范围 IF Frequency Range	1		1000	MHz
倍频次数 Multiplication Factor		6		
幅度稳定度 Stability @ 300 Hz BW		±0.1		dB
相位稳定度 Phase Stability @ 300 Hz BW		±2.5°		°

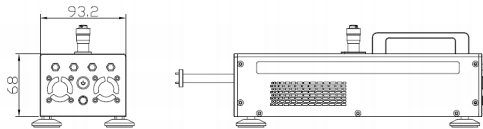
机械特性 Mechanical Specifications:

参数Parameter	指标 Value
射频输入接口 RF Input Connector	SMA Female
本振输入接口 LO Input Connector	SMA Female
中频输出接口 IF Input Connector	SMA Female
射频输出接口 RF Output Connector	WR-12/UG-387
供电引脚 Power Supply Pin	FGG 0B 4 Core
尺寸 Size	269.2*93.2*68mm

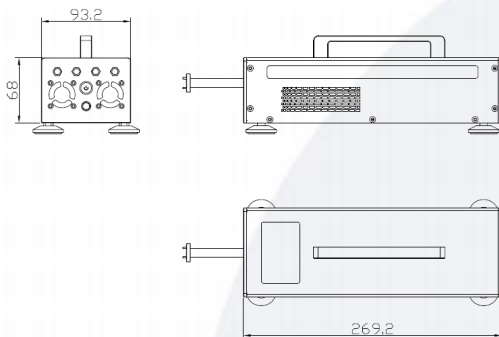
绝对最大值 Absolute Maximum Ratings:

参数Parameter	指标 Value
供电偏电压 Supply Bias Voltage	240V
输入功率 Input Power	20dBm

外形尺寸 Outline Drawing:

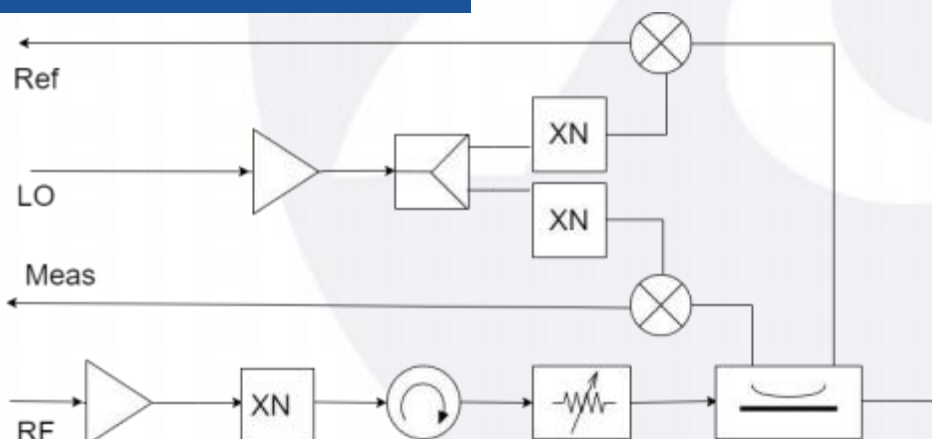


TLVE-6090-13-A



TLVE-6090-13

原理框图 Block Diagrams:



温度环境 Environmental Conditions:

参数Parameter	Min.	Typ.	Max.	单位 Units
操作温度 Operating Temperature	0		+50	°C
存储温度 Non-operating Temperature	-45		+125	°C
相对湿度 Relative humidity		95		%
海拔 Altitude	50,000			feet
震动 Shock / Vibration(MIL-STD-810F)	25g rms (15 degree 2KHz) endurance, 1 hour per axis			
冲击 Shock(non operating)	20G for 11msc half sin wave,3 axis both directions			

订货信息 Ordering Information:

标准型号 Part Number	描述 Description	版本号Revision
TLVE-6090-13	E-band VNA Frequency Extender, 60-90 GHz, Output Power:9dBm typ., Dynamic Range:120 dB typ., Magnitude Stability @ 300 Hz BW:±0.1dB,Phase Stability @ 300 Hz BW:±2.5°	Rev.1.1
TLVE-6090-13-A	E-band VNA Frequency Extender, 60-90 GHz, Output Power:9dBm typ., Dynamic Range:120 dB typ., Magnitude Stability @ 300 Hz BW:±0.1dB,Phase Stability @ 300 Hz BW:±2.5°, with Micrometer driven variable attenuators	Rev.1.1

随货配件 Components Included :

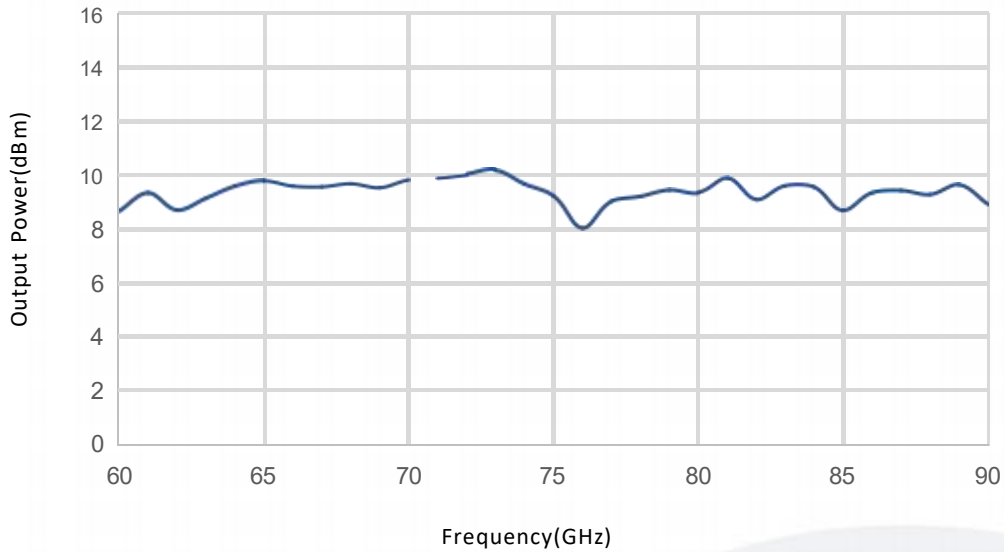
标准型号 Part Number	描述 Description	数量 Quantity
S1-SMAMSMAM-1.2m	Coaxial Cable Assembly	4 PCS
TFACTDC-22012	AC-to-DC Power Adapter	1 PCS

Notes:

1. Dimensions and specifications may be changed without prior notice.
2. Standard Warranty:three years.

典型曲线 Typical Performance Data:

Output Power vs. Frequency



Dynamic Range vs. Frequency

