

Model: TLLA2.2G2.3G-46-6
Low Noise Amplifier
2.2-2.3GHz, NF:0.6dB, Gain:46dB, P1dB:7dBm
Feature:

- Ultra Wide Band: 2.2-2.3GHz
- Gain: 46dB Typ
- Noise Figure: 0.6dB Typ
- Good Power and Gain Flatness
- 50 Ohm Matched Input / Output

电气特性 Electrical Specifications:

参数 Parameter	Min	Typ	Max	单位 Units
频率范围 Frequency range	2.2-2.3			GHz
增益 Gain	45.5	46		dB
噪声系数 Noise Figure		0.6		dB
线性输出功率 Output P1dB	5	7		dBm
饱和输出功率 Output Psat		8		dBm
增益带外抑制 Gain Rejection	@DC~2.12GHz	15		dBc
	@2.4~2.5GHz	15		dBc
输入驻波 Input VSWR		1.4		:1
输出驻波 Output VSWR		1.4		:1
直流电压 DC Voltage	11	12	24	V DC
直流电流 DC Supply Current		95		mA
阻抗 Impedance	50			Ohms

机械特性 Mechanical Specifications:

参数 Parameter	指标 Value	单位 Units
输入/输出接口 Input /Output Connector	N Female/N Female	
直流偏置 DC Bias	SMA Female	
尺寸 Size	40*45*20	mm
重量 Weight	/	g

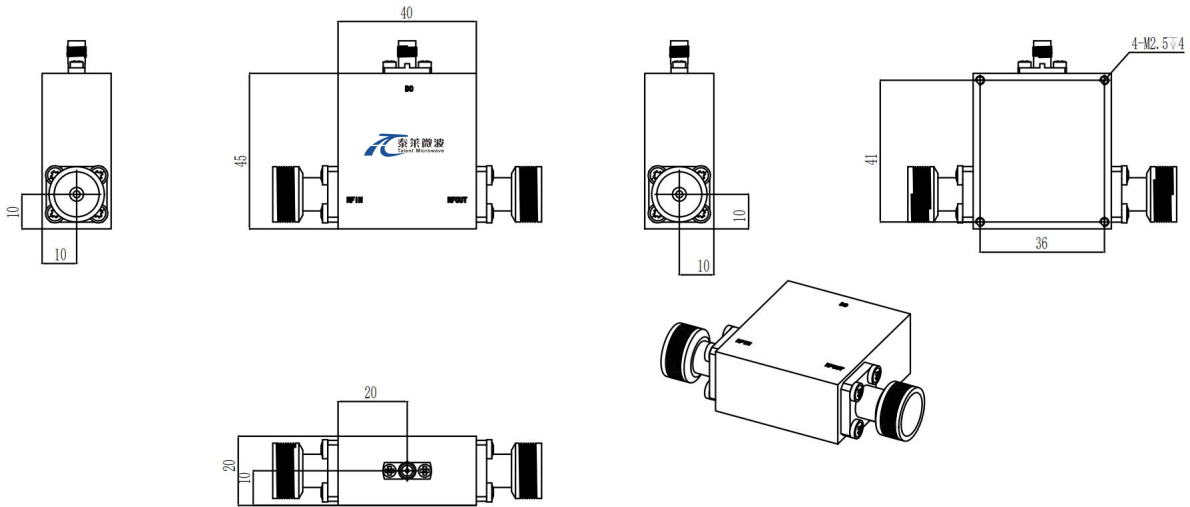
绝对最大值 Absolute Maximum Ratings:

参数 Parameter	指标 Value
供电偏置电压 Supply Bias Voltage	+24V
输入功率 RF Input Power	TBD
ESD灵敏度 ESD sensitivity (HBm)	Class 0, passed 150V


**Available 220V System
Benchtop Amplifier**

外形尺寸 Outline Drawing:

Unit: mm



*****Heat Sink Required During Operation**



OBSERVE PRECAUTIONS
ELECTROSTATIC SENSITIVE
DEVICES

温度环境 Environmental Conditions:

参数 Parameter	Min	Typ	Max	单位 Units
操作温度 Operating Temperature	-45		+85	°C
存储温度 Non-operating Temperature	-55		+125	°C
相对湿度 Relative humidity		95		%
海拔 Altitude		10,000		feet
震动 Shock / Vibration(MIL-STD-810F)	25g rms (15 degree 2KHz) endurance, 1 hour per axis			
冲击 Shock(non operating)	20G for 11msc half sin wave,3 axis both directions			

订货信息 Ordering Information:

标准型号 Part Number	描述 Description	版本号 Revision
TLLA2.2G2.3G-46-6	Low Noise Amplifier, 2.2-2.3GHz, Noise Figure:0.6dB, Gain:46 dB,P1dB:7dBm,+12V DC,Without Heatsink	Rev.1.1
TLLA2.2G2.3G-46-6-HS	Low Noise Amplifier, 2.2-2.3GHz, Noise Figure:0.6dB, Gain:46 dB,P1dB:7dBm,+12V DC,With Heatsink	Rev.1.1