

Model:TT2-18-SM-Cryo

**Cryogenic Coax Termination
DC-18GHz,2W,SMA Male,Non-Magnetic**

Feature:

- Frequency: DC to 18 GHz
- Max Power:2W
- Capable of operation at 10 mK
- Non-Magnetic
- 50 Ohm Matched Input

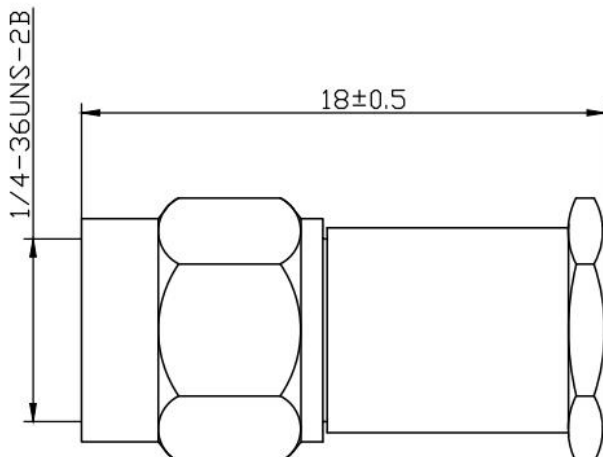
电气特性 Electrical Specifications:

参数Parameter	Min	Typ	Max	单位Units
频率范围 Frequency range	DC-18			GHz
驻波 VSWR			1.35	:1
输入功率 Input Power			2	W
阻抗 Impedance	50			Ohms

机械特性 Mechanical Specifications:

参数Parameter	指标 Value	单位Units
输入输出接口 Input /Output Connector	SMA Male/SMA Male	
外壳材质 Case Material	OFHC Copper	
表面 Finish	Gold Plated	
电阻材料 Resistor Material	Proprietary Thin Film	

外形尺寸 Outline Drawing:



温度环境 Environmental Conditions:

参数Parameter	Min	Typ	Max	单位Units
操作温度 Operating Temperature	10mK		+85	°C
存储温度 Non-operating Temperature	-55		+125	°C
相对湿度 Relative humidity	100% RH at 35c, 95%RH at 40°C			%
海拔 Altitude	50,000			feet
震动 Shock / Vibration(MIL-STD-810F)	25g rms (15 degree 2KHz) endurance, 1 hour per axis			
冲击 Shock(non operating)	20G for 11msc half sin wave,3 axis both directions			

订货信息 Ordering Information:

标准型号 Part Number	描述 Description	版本号Revision
TT2-18-SM-Cryo	Cryogenic Coax Termination DC-18GHz,2W,SMA Male, Non-Magnetic	Rev.1.1