

SP3T , Terminated , Coaxial Switches

R13-KL12T40-DT, Coaxial Switches, 1P3T, K, Latching, 12VDC, TTL, DC to 40 GHz, DSUB-15, Terminated

R13-KL24T40-DT, Coaxial Switches, 1P3T, K, Latching, 24VDC, TTL, DC to 40 GHz, DSUB-15, Terminated

R13-KL28T40-DT, Coaxial Switches, 1P3T, K, Latching, 28VDC, TTL, DC to 40 GHz, DSUB-15, Terminated

电气参数 Electrical Characteristics:

参数 Parameter	条件 Condition
频率范围 Frequency range	DC-40 GHz
阻抗 Impedance	50 Ω
开关模式 Operation mode	Latching
开关顺序 Switch sequence	Break before make
切换时间 Switching time	15 ms max
机械寿命 Mechanical life	1 million min
TTL input	0-0.8 V(OFF), 2.4-5 V(ON)
负载功率 Termination power CW	0.5W
额定电压 Rated voltage	12 24 28 VDC
工作电流 Operating current at 23 °C	350 180 160 mA



射频特性 RF Specifications:

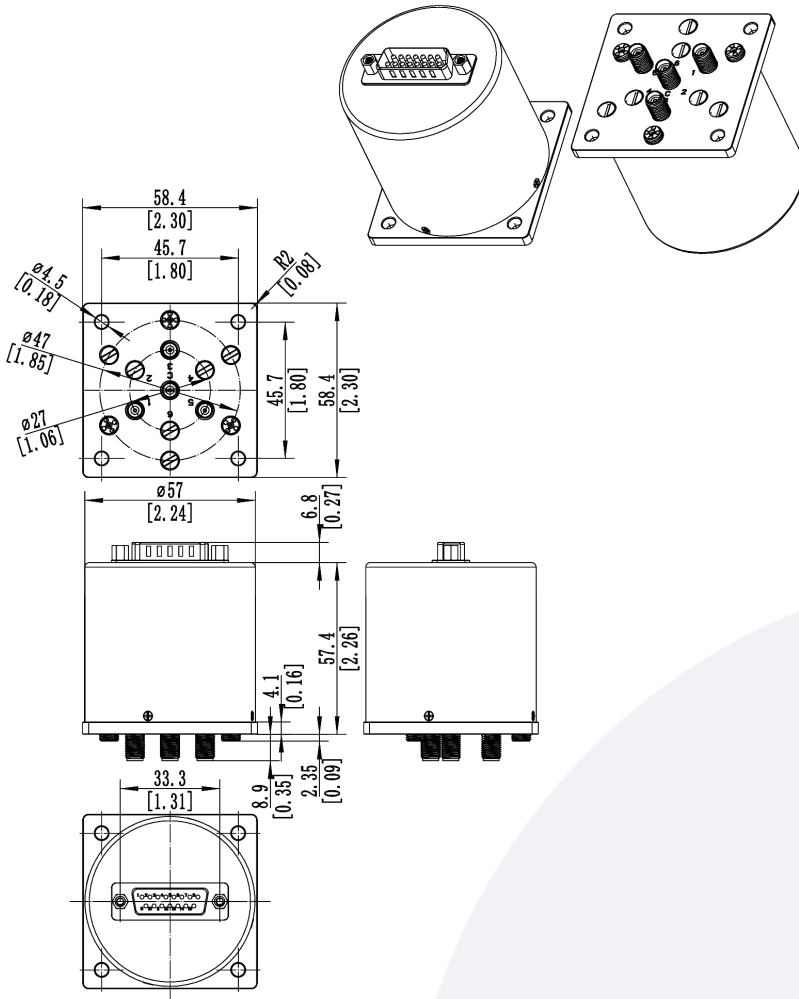
频率范围 FREQUENCY RANGE(GHz)	DC-6	6-12	12-18	18-32	32-40
插入损耗 INSERTION LOSS (MAX) dB	0.3	0.4	0.5	0.8	1.3
隔离度 ISOLATION (MIN) dB	70	60	60	55	50
电压驻波比 V.S.W.R. (MAX)	1.3:1	1.4:1	1.5:1	1.9:1	2.1:1

环境和物理特性 Environmental And Physical Characteristics:

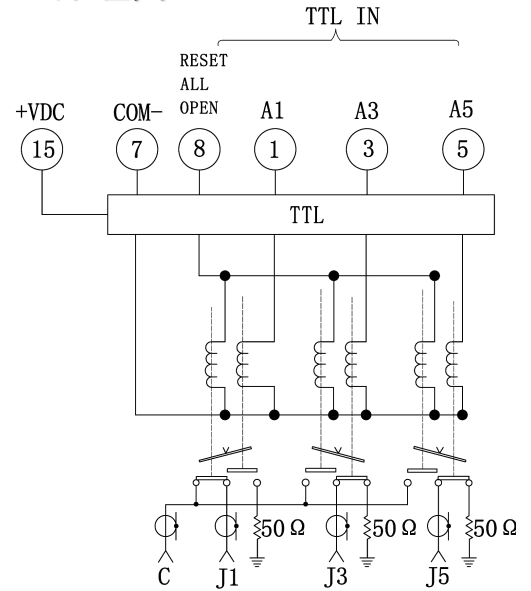
参数 Parameter	条件 Condition
工作温度范围 Operating temperature range	-25°C to +65°C(Standard) -55°C to +85°C(Optional)
振动 Sine vibration(Operating)	20-2000Hz , 10G RMS
冲击 Shocks(Non Operating)	50g / 11msec, ½ sine
射频接口 RF Connector type	2.92mm Female
控制接口 Control connector	D-SUB 15Pin male
重量 Weight	240g Max
外壳颜色 Housing Color	黑色 Black

备注: 如果客户需要其他外壳颜色, 请联系业务备注

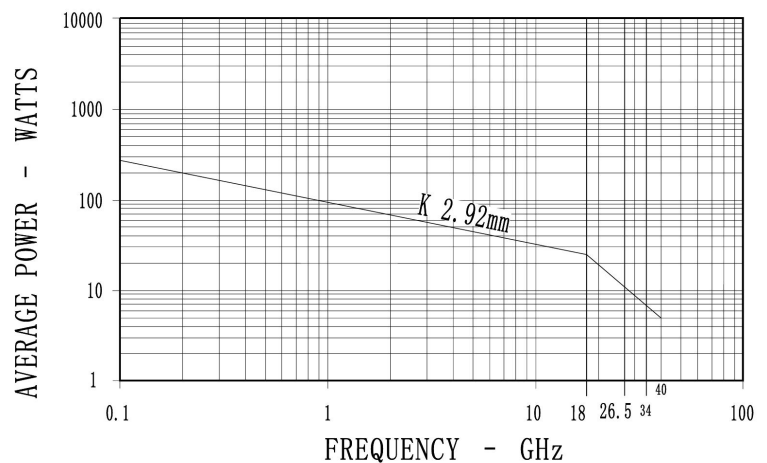
外形尺寸 Outline Drawing: Unit: mm



原理图 Schematic:

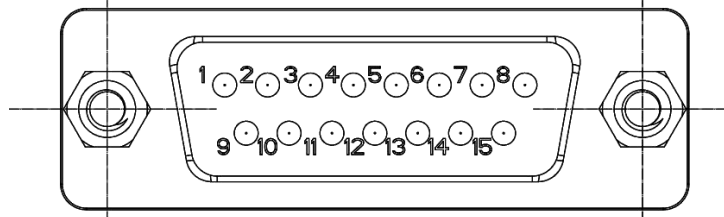


功率曲线图 Average power:



This graph is based on the following conditions:

- Ambient temperature: + 25 °C
- Sea level
- V.S.W.R.: 1 and cold switching

引脚定义 Pin Definition:


15 PIN D-SUB		RF Connect Used
Pin NO.	Function	SP3T
1	A1(TTL IN)	1
2	UNUSED	
3	A3(TTL IN)	3
4	UNUSED	
5	A5(TTL IN)	5
6	UNUSED	
7	COM-	
8	A(TTL IN) RESET ALL OPEN	
15	+VDC	
8-14	UNUSED	

标准型号 Part Number:

标准型号 Part Number	额定电压 Rated Voltage	可选项 Option
1P3T		
R13-KL12T40-DT	12VDC	-S
R13-KL24T40-DT	24VDC	例如:R13-KL12T40-DTS
R13-KL28T40-DT	28VDC	(备注, S型号满足IP65)

典型曲线 Typical Performance Data:

