

SPDT , Terminated , Coaxial Switches

R12-KL12T40-T, Coaxial Switches , SPDT , 2.92mm , Latching , 12VDC , TTL , DC to 40 GHz , Solder Pin , Terminated

R12-KL24T40-T, Coaxial Switches , SPDT , 2.92mm , Latching , 24VDC , TTL , DC to 40 GHz , Solder Pin , Terminated

R12-KL28T40-T, Coaxial Switches , SPDT , 2.92mm , Latching , 28VDC , TTL , DC to 40 GHz , Solder Pin , Terminated

电气参数 Electrical Characteristics:

参数 Parameter	条件 Condition
频率范围 Frequency range	DC-40 GHz
阻抗 Impedance	50 Ω
开关模式 Operation mode	Latching
开关顺序 Switch sequence	Break before make
切换时间 Switching time	15 ms max
机械寿命 Mechanical life	1 million min
TTL input	0-0.8 V(OFF), 2.4-5 V(ON)
负载功率 Termination power CW	0.5W
额定电压 Rated voltage	12 24 28 VDC
工作电流 Operating current at 23 °C	400 180 230 mA



射频特性 RF Specifications:

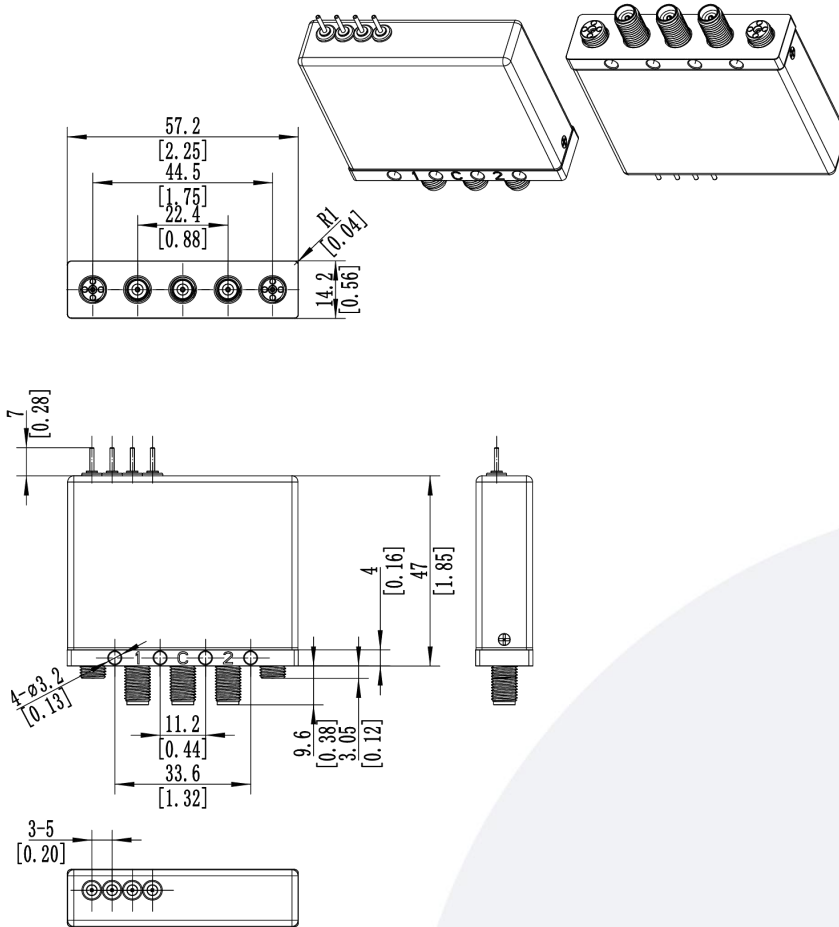
频率范围 FREQUENCY RANGE(GHz)	DC-6	6-12	12-18	18-26.5	26.5-32	32-40
插入损耗 INSERTION LOSS (MAX) dB	0.2	0.25	0.4	0.7	0.8	1.0
隔离度 ISOLATION (MIN) dB	70	70	60	55	50	50
电压驻波比 V.S.W.R. (MAX)	1.2:1	1.3:1	1.4:1	1.7:1	1.9:1	2.0:1

环境和物理特性 Environmental And Physical Characteristics:

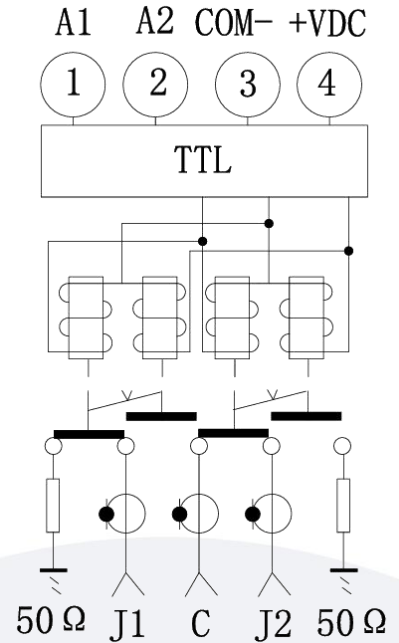
参数Parameter	条件 Condition
工作温度范围 Operating temperature range	-25°C to +65°C(Standard) -55°C to +85°C(Optional)
振动 Sine vibration(Operating)	20-2000Hz , 10g
冲击 Shocks(Non Operating)	50g / 11ms, ½ sine
射频接口 RF Connector type	2.92mm Female
控制接口 Control connector	Solder Pin
重量 Weight	88g Max
外壳颜色 Housing Color	浅蓝色 Light Blue

备注：如果客户需要其他外壳颜色，请联系业务备注

外形尺寸 Outline Drawing: Unit: mm

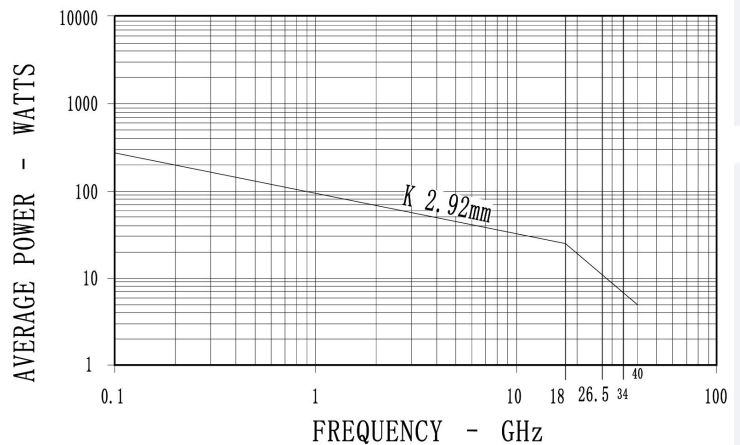


原理图 Schematic:

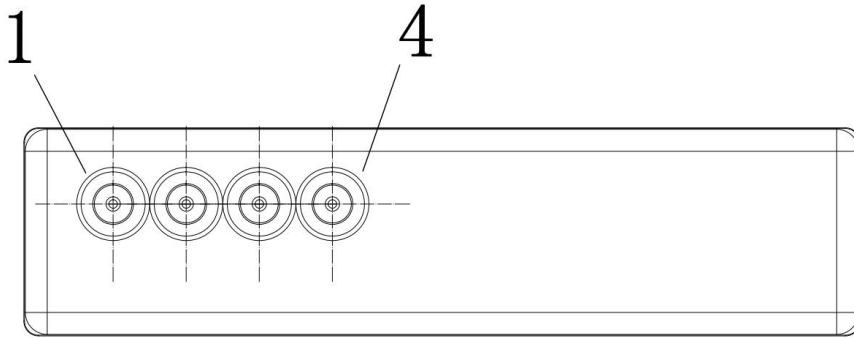


功率曲线图 Average power:

- This graph is based on the following conditions:
- Ambient temperature: + 25 °C
 - Sea level
 - V.S.W.R.: 1 and cold switching



针脚定义 Pin Definition:



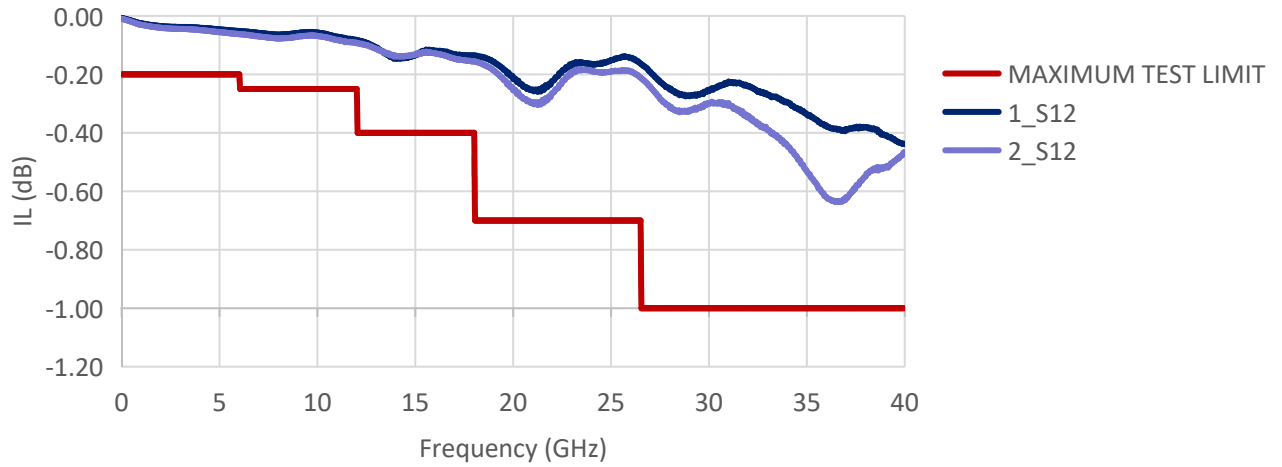
Solder Pin		RF Connect Used
Pin NO.	Function	SPDT
1	A1(TTL IN)	J1-COM
2	A2(TTL IN)	J2-COM
3	COM-	
4	+VDC	

标准型号 Part Number:

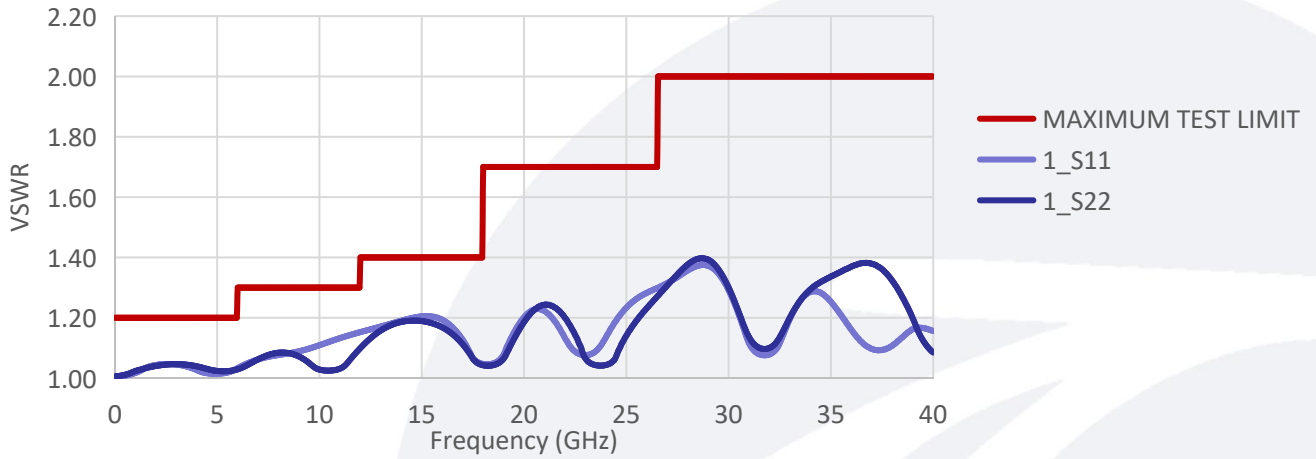
标准型号 Part Number	额定电压 Rated Voltage	可选项 Option
SPDT		
R12-KL12T40-T	12VDC	-S
R12-KL12T40-T	24VDC	例如:R12-KL12T40-TS
R12-KL12T40-T	28VDC	(备注, S型号满足IP65)

典型曲线 Typical Performance Data:

INSERTION LOSS



VSWR



ISOLATION

