

Flexible Cable Replacing Remi-rigid Cable Assembly

T2/TNC Male /TNC Male/DC-18 GHz

Model: T2-TNCMTNCM-L

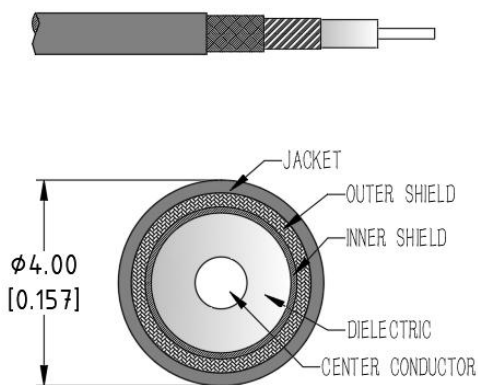
Features:

- Max Frequency 18 GHz
- VSWR max of 1.30
- Velocity of Propagation of 70%

Applications:

- Test & Measurement equipment
- Manufacturing lab
- WAN system equipment

Cable Cross Section:



Electrical Characteristics:

| Parameter | Min | Typ | Max | Units |
|---------------------------------------|-----|-----------|-----|------------|
| Frequency Range | DC | | 18 | GHz |
| VSWR | | 1.25 | 1.3 | :1 |
| Velocity of propagation | | 70% | | |
| Shielding Effectiveness | 90 | | | dB |
| Capacitance | | | 81 | pF/m |
| Phase Stability Vs. Flexure@18GHz | | ± 8 | | $^{\circ}$ |
| Amplitude Stability Vs. Flexure@18GHz | | ± 0.1 | | dB |

Environmental And Physical Characteristics:

| Description | Parameter | Units |
|-----------------------|-------------|--------------------|
| Cable Diameter | 4.0 | mm |
| Cable Jacket | FEP | |
| Min. Bending Radius | 20 | mm |
| Typical Flex life | 50000 | |
| Operating Temperature | -55 to +125 | $^{\circ}\text{C}$ |
| Storage Temperature | -55 to +125 | $^{\circ}\text{C}$ |

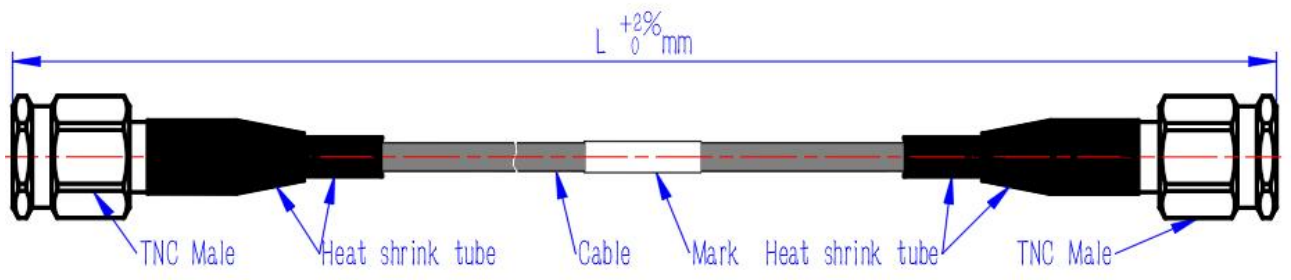
Cable Performance By Frequency

| Frequency | 2 GHz | 4 GHz | 6 GHz | 8 GHz | 12 GHz | 16 GHz | 18 GHz | 26.5 GHz |
|---------------------------|-------|-------|-------|-------|--------|--------|--------|----------|
| Insertion Loss (dB/m Max) | 0.56 | 0.84 | 1.07 | 1.29 | 1.66 | 2.00 | 2.16 | 2.81 |
| RF Power CW (W Max.) | 181 | 121 | 95 | 79 | 62 | 51 | 47 | 36 |

Connectors:

| Description | Connector 1 | Connector 2 |
|------------------------------|----------------------------|----------------------------|
| Type | TNC Straight Male | TNC Straight Male |
| Contact Material And Plating | Brass,Gold | Brass,Gold |
| Dielectric Type | PTFE | PTFE |
| Body Material And Plating | Passivated Stainless Steel | Passivated Stainless Steel |
| Insertion Loss (dB Max) | $0.05 * \sqrt{f_GHz}$ | $0.05 * \sqrt{f_GHz}$ |

Outline Drawing:



Ordering Information:

| Base Number | Lenth | Armour (optional) | Phase/delay Matched (optional) |
|-------------|-------|-----------------------------|--------------------------------|
| T2-TNCMTNCM | -L | -A(Black nylon woven armor) | |
| | | -AP(PUR water proof armor) | -XXPS($\leq \pm XX$ PS) |
| | | -AS(Stainless steel armor) | -XX°($\pm XX$ °) |
| | | -AT(Transparent armor) | |

Typical Performance Data:

Model:T2-TNCMTNCM-1m

| Frequency | 2 GHz | | 6 GHz | | 12 GHz | | 18 GHz | |
|---------------------|-------|------|-------|------|--------|------|--------|------|
| | Typ | Max | Typ | Max | Typ | Max | Typ | Max |
| Insertion Loss (dB) | 0.63 | 0.70 | 1.20 | 1.32 | 1.83 | 2.00 | 2.37 | 2.59 |
| VSWR | 1.10 | 1.15 | 1.15 | 1.20 | 1.20 | 1.25 | 1.25 | 1.30 |