

## Flexible Cable Replacing Remi-rigid Cable Assembly

T2/SMA Right Angle Male /DC-18 GHz

Model: T2-SMAWMSMAWM-L

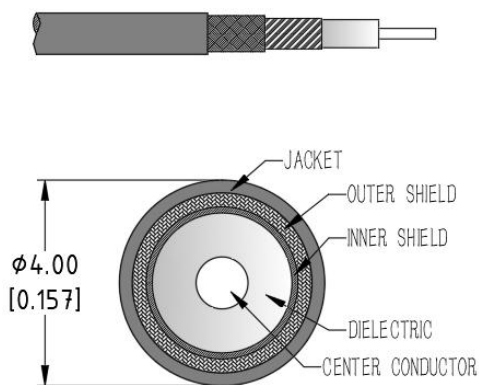
### Features:

- Max Frequency 18 GHz
- VSWR max of 1.30
- Velocity of Propagation of 70%

### Applications:

- Test & Measurement equipment
- Manufacturing lab
- WAN system equipment

### Cable Cross Section:



### Electrical Characteristics:

| Parameter                             | Min | Typ  | Max | Units |
|---------------------------------------|-----|------|-----|-------|
| Frequency Range                       | DC  |      | 18  | GHz   |
| VSWR                                  |     | 1.25 | 1.3 | :1    |
| Velocity of propagation               |     | 70%  |     |       |
| Shielding Effectiveness               | 90  |      |     | dB    |
| Capacitance                           |     |      | 81  | pF/m  |
| Phase Stability Vs. Flexure@18GHz     |     | ±8   |     | °     |
| Amplitude Stability Vs. Flexure@18GHz |     | ±0.1 |     | dB    |

### Environmental And Physical Characteristics:

| Description           | Parameter   | Units |
|-----------------------|-------------|-------|
| Cable Diameter        | 4.0         | mm    |
| Cable Jacket          | FEP         |       |
| Min. Bending Radius   | 20          | mm    |
| Typical Flex life     | 50000       |       |
| Operating Temperature | -55 to +125 | °C    |
| Storage Temperature   | -55 to +125 | °C    |

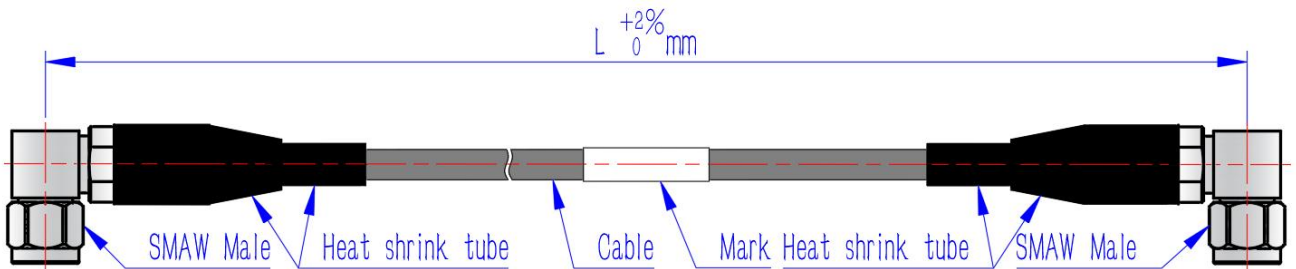
### Cable Performance By Frequency:

| Frequency                 | 2 GHz | 4 GHz | 6 GHz | 8 GHz | 12 GHz | 16 GHz | 18 GHz | 26.5 GHz |
|---------------------------|-------|-------|-------|-------|--------|--------|--------|----------|
| Insertion Loss (dB/m Max) | 0.56  | 0.84  | 1.07  | 1.29  | 1.66   | 2.00   | 2.16   | 2.81     |
| RF Power CW (W Max.)      | 181   | 121   | 95    | 79    | 62     | 51     | 47     | 36       |

### Connectors:

| Description                  | Connector 1                | Connector 2                |
|------------------------------|----------------------------|----------------------------|
| Type                         | SMA Right Angle Male       | SMA Right Angle Male       |
| Contact Material And Plating | Beryllium Copper, Gold     | Beryllium Copper, Gold     |
| Dielectric Type              | PTFE                       | PTFE                       |
| Body Material And Plating    | Passivated Stainless Steel | Passivated Stainless Steel |
| Insertion Loss (dB Max)      | $0.05 * \sqrt{f\_GHz}$     | $0.05 * \sqrt{f\_GHz}$     |

### Outline Drawing:



### Ordering Information:

| Base Number    | Lenth | Armour (optional)   | Phase/delay Matched (optional) |
|----------------|-------|---|--------------------------------|
| T2-SMAWMSMAW M | -L    | -A(Black nylon woven armor)  |                                |
|                |       | -AP(PUR water proof armor)   | -XXPS( $\leq \pm XX$ PS)       |
|                |       | -AS(Stainless steel armor)   | -XX°( $\pm XX$ °)              |
|                |       | -AT(Transparent armor)       |                                |

**Typical Performance Data:**

**Model:T2-SMAWMSMAWM-1m**

| Frequency      | 2 GHz |      | 6 GHz |      | 12 GHz |      | 18 GHz |      |
|----------------|-------|------|-------|------|--------|------|--------|------|
|                | Typ   | Max  | Typ   | Max  | Typ    | Max  | Typ    | Max  |
| Insertion Loss | 0.63  | 0.70 | 1.20  | 1.32 | 1.83   | 2.00 | 2.37   | 2.59 |
| VSWR           | 1.10  | 1.15 | 1.15  | 1.20 | 1.20   | 1.25 | 1.25   | 1.30 |