

DPDT Coaxial Switches

R22-KF12T40-D, Coaxial Switches, DPDT, 2.92mm, Failsafe, 12VDC, TTL, DC to 40 GHz, DSUB-9

R22-KF24T40-D, Coaxial Switches, DPDT, 2.92mm, Failsafe, 24VDC, TTL, DC to 40 GHz, DSUB-9

R22-KF28T40-D, Coaxial Switches, DPDT, 2.92mm, Failsafe, 28VDC, TTL, DC to 40 GHz, DSUB-9

电气参数 Electrical Characteristics:

参数Parameter	条件Condition
频率范围 Frequency range	DC-40GHz
阻抗 Impedance	50 Ω
开关模式 Operation mode	Failsafe
开关顺序 Switch sequence	Break before make
切换时间 Switching time	15 ms max
机械寿命 Mechanical life	2 million min
TTL input	0-0.8 V(OFF), 2.4-5 V(ON)
额定电压 Rated voltage	12 24 28 VDC
工作电流 Operating current at 23 °C	380 200 180 mA



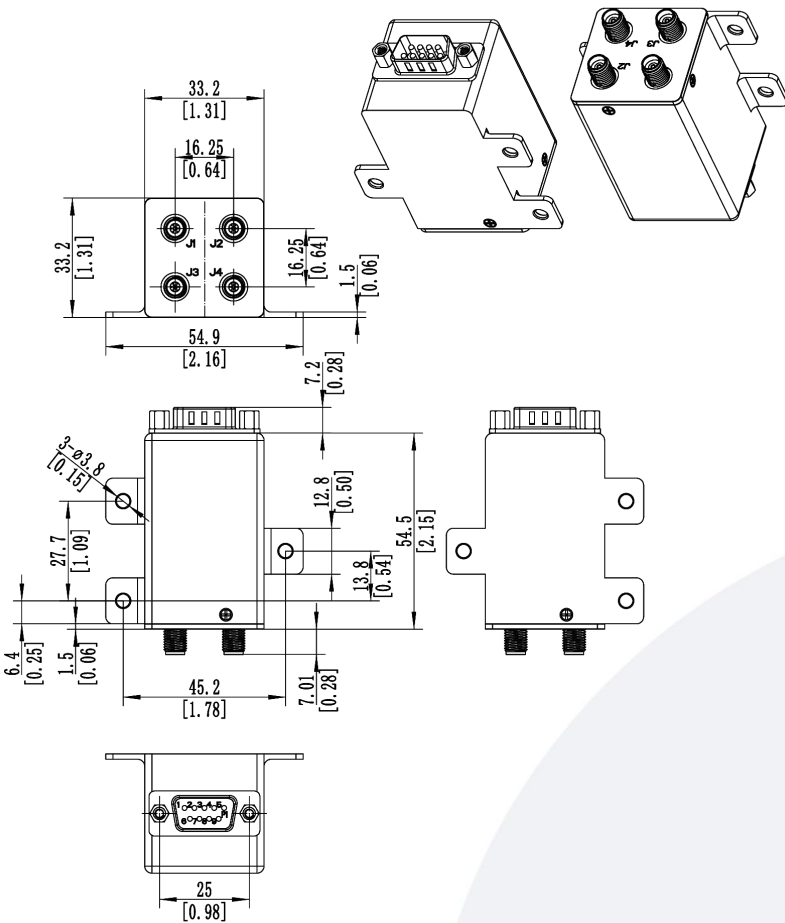
射频特性 RF Specifications:

频率范围 FREQUENCY RANGE(GHz)	DC-6	6-12	12-18	18-26.5	26.5-40
插入损耗INSERTION LOSS (MAX) dB	0.2	0.25	0.4	0.9	1.3
隔离度 ISOLATION (MIN) dB	70	70	60	55	50
电压驻波比 V.S.W.R. (MAX)	1.3	1.4	1.5	1.7	2.0

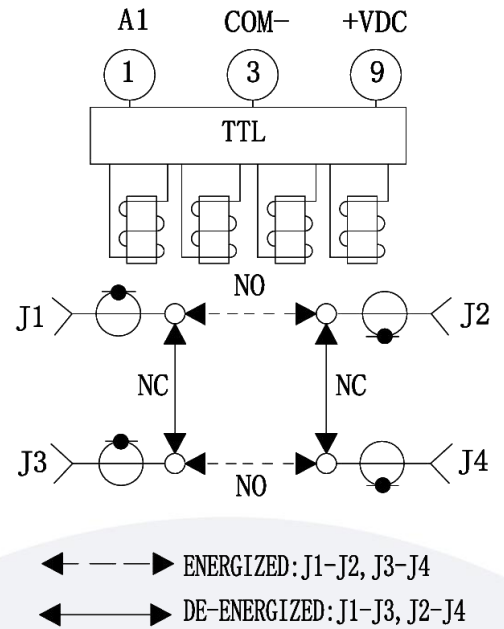
环境和物理特性 Environmental And Physical Characteristics:

参数Parameter	条件 Condition
工作温度范围 Operating temperature range	-25°C to +65°C(Standard) -55°C to +85°C(Optional)
振动 Sine vibration(Operating)	20-2000Hz, 10g
冲击 Shocks(Non Operating)	50g / 11ms, ½ sine
射频接口 RF Connector type	2.92mm Female
控制接口 Control connector	D-SUB 9 Pin Male
重量 Weight	120g Max

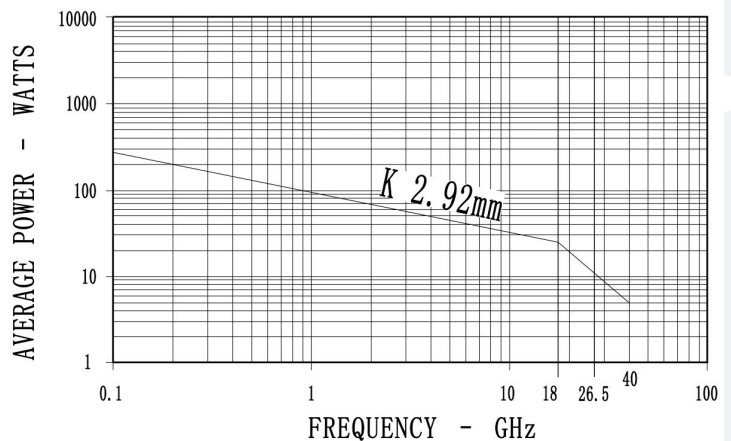
外形尺寸 Outline Drawing: Unit: mm



原理图 Schematic:



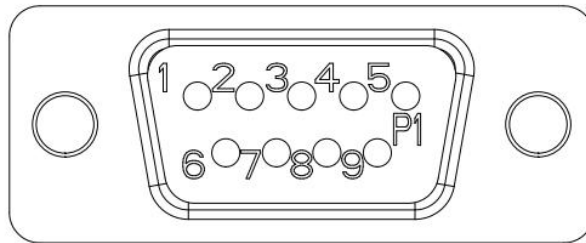
功率曲线图 Average power:



This graph is based on the following conditions:

- Ambient temperature: + 25 °C
- Sea level
- V.S.W.R.: 1 and cold switching

针脚定义 Pin Definition:



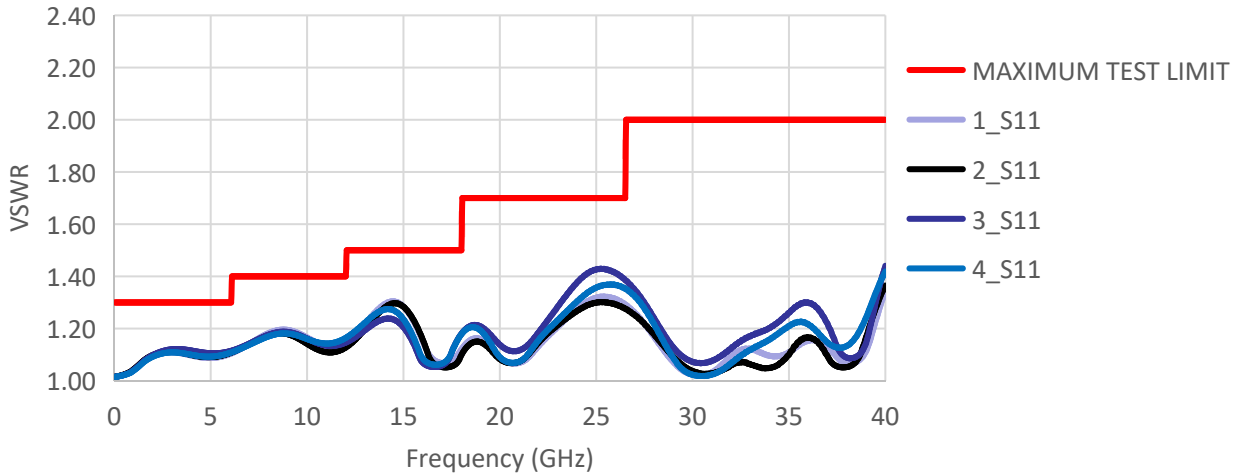
9 PIN D-SUB		RF Connect Used
Pin NO.	Function	DPDT
1	A1(TTL IN)	NO:J1-J2,J3-J4
	0	NC:J1-J3,J2-J4
2	UNUSED	
3	COM-	
4-8	UNUSED	
9	+VDC	

标准型号 Part Number:

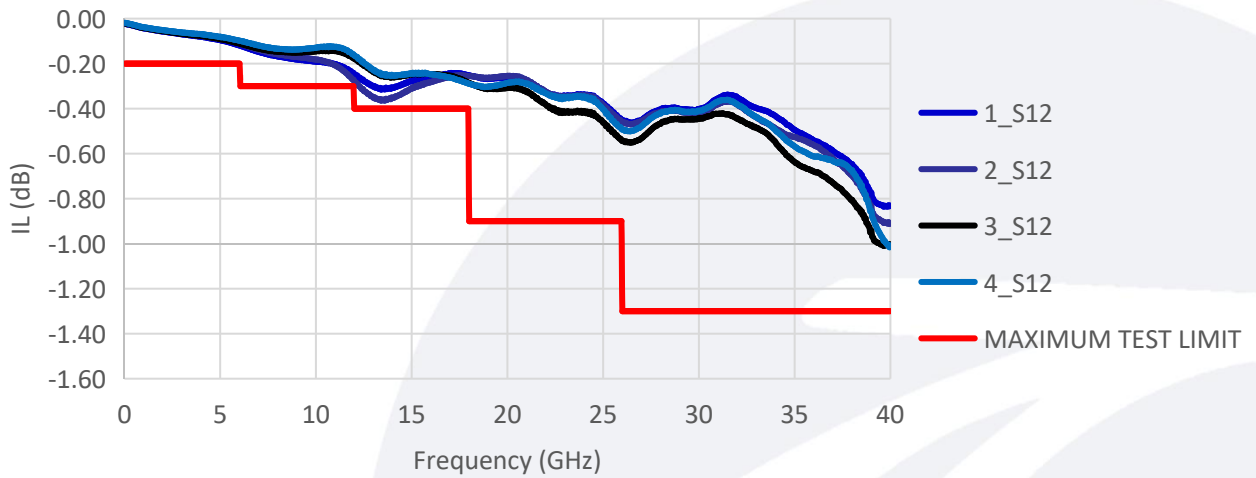
标准型号 Part Number	驱动电压 Actuator voltage	可选项 Option
DPDT		
R22-KF12T40-D	12VDC	-S
R22-KF24T40-D	24VDC	例如:R22-KF12T40-DS
R22-KF28T40-D	28VDC	(备注, S型号满足IP65)

典型曲线 Typical Performance Data:

VSWR



INSERTION LOSS



ISOLATION

