

Model: TMPA-050075-3530-15
Power Amplifier
50-75GHz, Gain:35 dB, Psat:30 dBm
Feature:

- Frequency Range: 50-75 GHz
- Gain:35 dB Type
- Output Power Psat:30 dBm Type
- Good Power and Gain Flatness

电气特性 Electrical Specifications:

参数Parameter	Min	Typ	Max	单位Units
频率范围 Frequency range	50-75			GHz
小信号增益 Small Signal Gain		35		dB
增益平坦度 Gain Flatness		±2.5		dB
功率增益 Power Gain		28		dB
饱和输出功率 Output Psat	29	30		dBm
输入回波损耗 Input Return Loss		-10		dB
输出回波损耗 Output Return Loss		-8		dB
直流电压 DC Voltage		16		V DC
直流电流 DC Supply Current		0.7		A

机械特性 Mechanical Specifications:

参数 Parameter	指标 Value	单位 Units
输入/输出接口 Input /Output Connector	WR-15/UG-385/U	
直流偏置 DC Bias	Solder Pin	
尺寸 Size	50*50*20	mm
重量 Weight	/	g

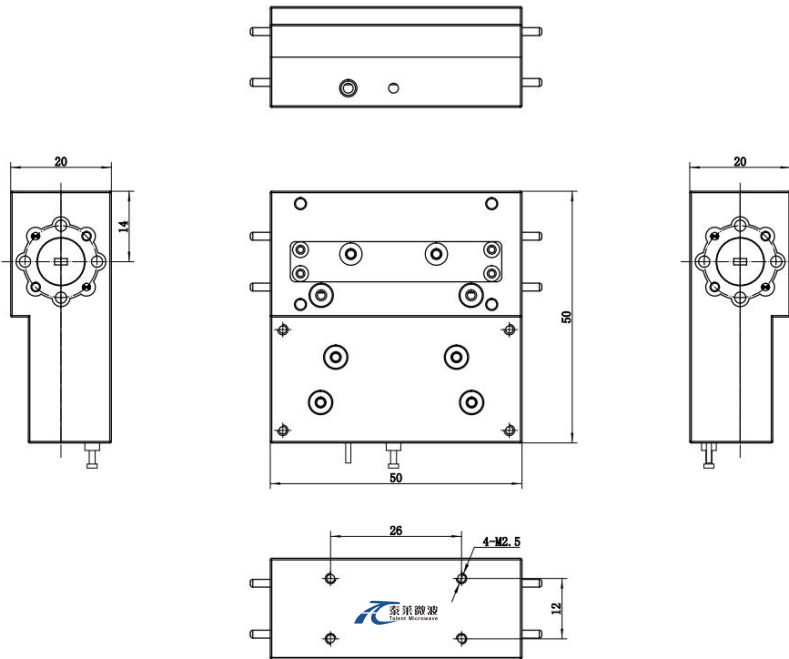
绝对最大值 Absolute Maximum Ratings:

参数 Parameter	指标 Value
供电偏置电压 Supply Bias Voltage	+20 V
输入功率 RF Input Power	15 dBm
ESD灵敏度 ESD sensitivity (HBm)	Class 0, passed 150V


**Available 220V System
Benchtop Amplifier**

外形尺寸 Outline Drawing:

Unit: mm



OBSERVE PRECAUTIONS
ELECTROSTATIC SENSITIVE
DEVICES

温度环境 Environmental Conditions:

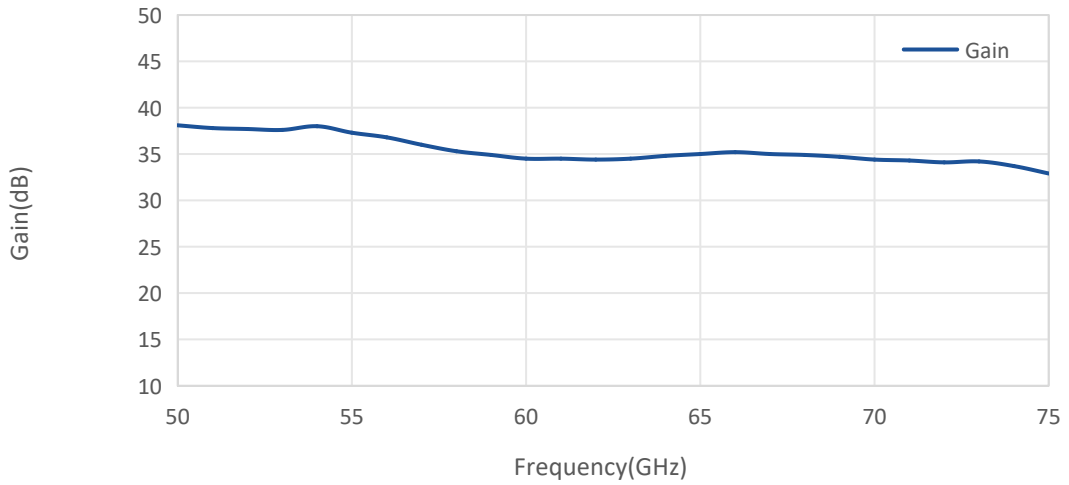
参数 Parameter	Min	Typ	Max	单位 Units
操作温度 Operating Temperature	-10		+65	°C
存储温度 Non-operating Temperature	-55		+125	°C
相对湿度 Relative humidity		95		%
海拔 Altitude	50,000			feet
震动 Shock / Vibration(MIL-STD-810F)	25g rms (15 degree 2KHz) endurance, 1 hour per axis			
冲击 Shock(non operating)	20G for 11msc half sin wave,3 axis both directions			

订货信息 Ordering Information:

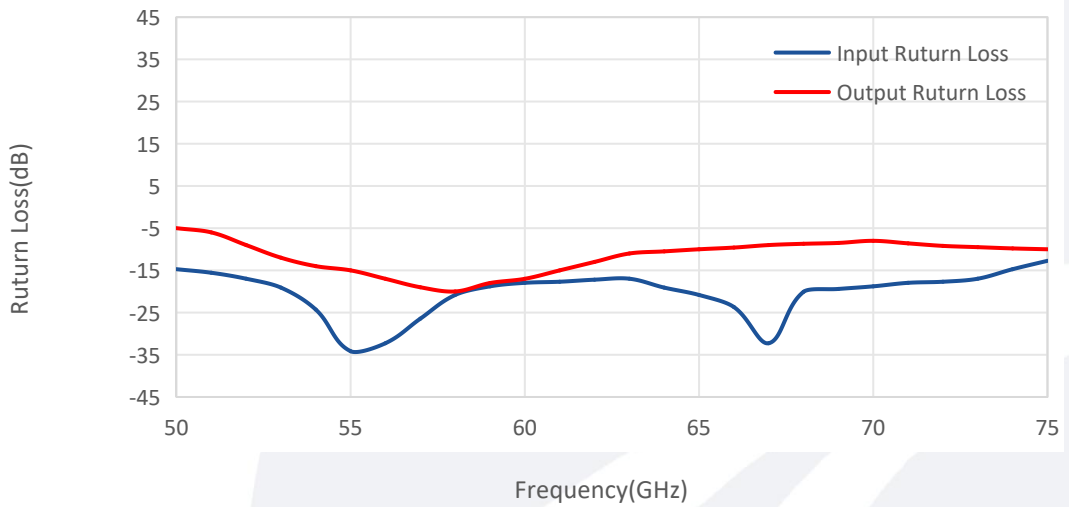
标准型号 Part Number	描述 Description	版本号 Revision
TMPA-050075-3530-15	Power Amplifier, 50-75 GHz, Gain:35 dB Type, Psat:30 dBm Type, +16V DC,WR-15	Rev.1.1

典型曲线 Typical Performance Data:

Gain vs Frequency



Return Loss vs Frequency



Psat vs Frequency

