

型号 Part No : TT10-40-K

DC-40GHz,10W,2.92mm Male Coaxial Fixed Terminations

电气特性 Electrical Specifications:

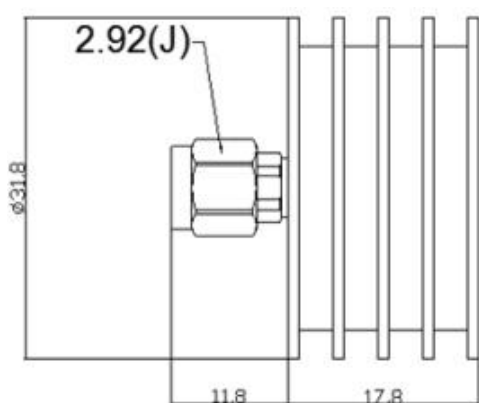
工作频率 Frequency Range:	DC-40GHz
驻波 VSWR:	≤1.25
耐功率 RF Power Handing:	≤10Watts
阻抗 Impedance:	50 Ohms

机械特性 Mechanical Specifications:

操作温度 Operation Temperature:	-55°C - +125°C
存储温度 Storage Temperature:	-55°C - +125°C
壳体 Body Material:	Black, Finned Aluminum
中心导体 Center Conductor:	Beryllium Bronze Gold
接口 Connectors:	2.92mm Male
相对湿度 Relative Humidity:	90%

外形尺寸 Outline Drawing:

Unit: mm



订货信息 Ordering Information:

标准型号 Part Number	描述 Description
TT10-40-K	DC-40GHz,10W,2.92mm Male Coaxial Fixed Termination