

**型号 Part No : TT10-6-N**

DC-6GHz,10W,N Female/Male Coaxial Fixed Terminations

**电气特性 Electrical Specifications:**

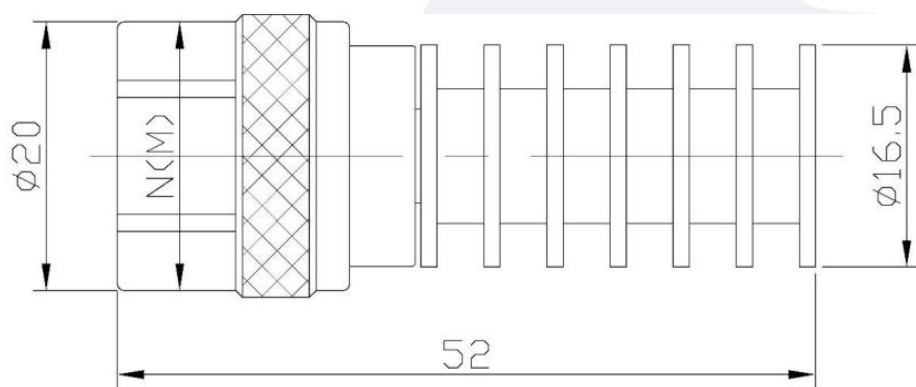
工作频率 Frequency Range:	DC-6 GHz
驻波 VSWR:	DC-3GHz, ≤1.15 @Max DC-4GHz, ≤1.20 @Max DC-6GHz, ≤1.25 @Max
耐功率 RF Power Handling:	≤10Watts Average at 25°C
阻抗 Impedance:	50 Ohms

**机械特性 Mechanical Specifications:**

操作温度 Operation Temperature:	-55°C - +100°C
存储温度 Storage Temperature:	-55°C - +100°C
壳体材质 Body Material:	Black, Finned Aluminum
中心导体 Center Conductor:	Gold-plated, Phosphor bronze
接口 Connectors:	N Female/Male, Nickel plated Brass
重量 Weight:	45g

**外形尺寸 Outline Drawing:**

Unit: mm



**订货信息 Ordering Information:**

标准型号 Part Number	描述 Description
TT10-6-N	DC-6GHz,10W,N Female/Male Coaxial Fixed Termination