

SP10T Coaxial Switches

R1A-SN12018-D, Coaxial Switches, 1P10T, SMA, Normally open, 12VDC, DC to 18 GHz, DSUB-15

R1A-SN24018-D, Coaxial Switches, 1P10T, SMA, Normally open, 24VDC, DC to 18 GHz, DSUB-15

R1A-SN28018-D, Coaxial Switches, 1P10T, SMA, Normally open, 28VDC, DC to 18 GHz, DSUB-15

电气参数 Electrical Characteristics:

| 参数Parameter | 条件Condition |
|---------------------------------|------------------------|
| 频率范围 Frequency range | DC-18GHz |
| 阻抗 Impedance | 50 Ω |
| 开关模式 Operation mode | Normally open |
| 开关顺序 Switch sequence | Break before make |
| 切换时间 Switching time | 15 ms max |
| 机械寿命 Mechanical life | 1 million min |
| 额定电压 Rated voltage | 12 24 28 VDC |
| 工作电流 Operating current at 23 °C | 260 160 100 mA |



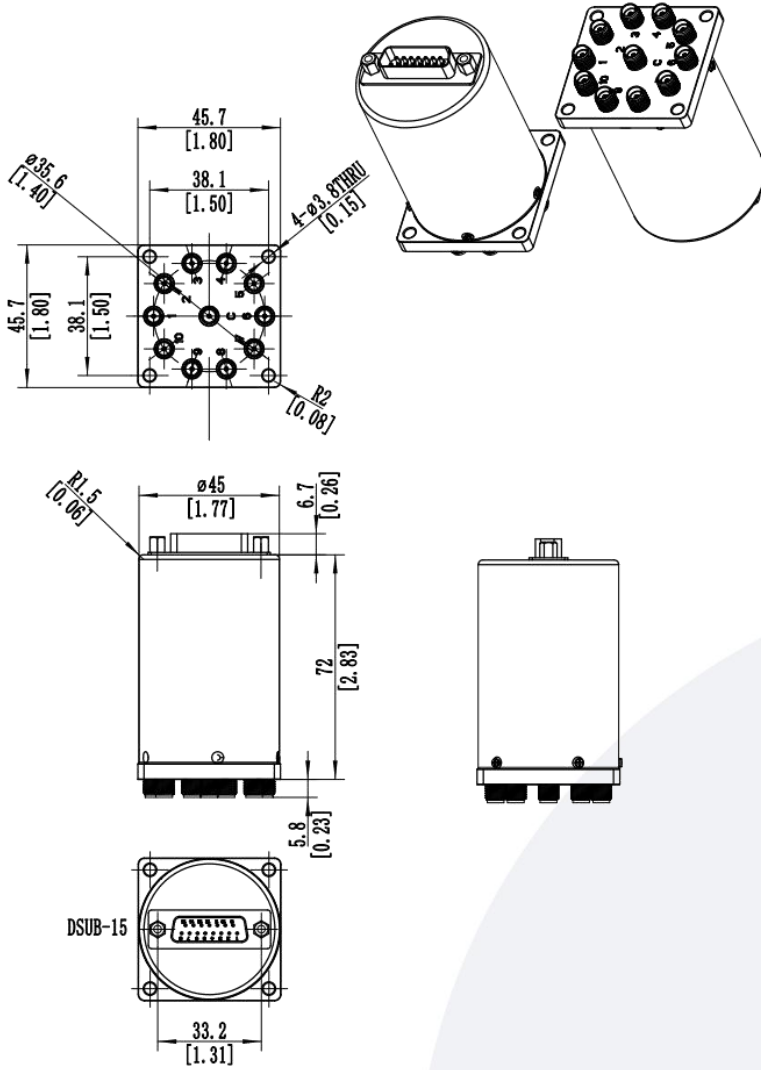
射频特性 RF Specifications:

| 频率范围 FREQUENCY RANGE(GHz) | DC-4 | 4-8 | 8-12.4 | 12.4-18 |
|-----------------------------|-------|-------|--------|---------|
| 插入损耗INSERTION LOSS (MAX) dB | 0.2 | 0.3 | 0.4 | 0.6 |
| 隔离度 ISOLATION (MIN) dB | 70 | 65 | 60 | 55 |
| 电压驻波比 V.S.W.R. (MAX) | 1.2:1 | 1.3:1 | 1.4:1 | 1.6:1 |

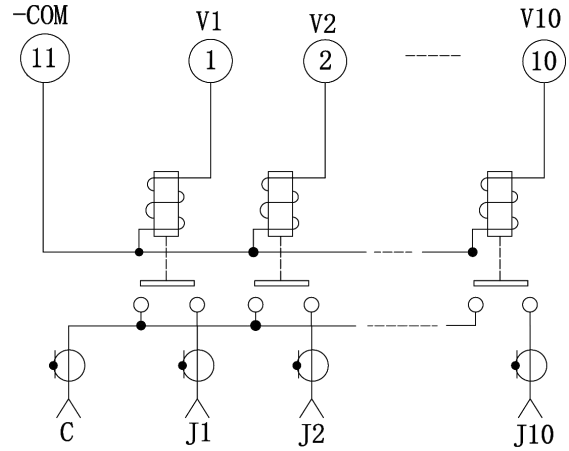
环境和物理特性 Environmental And Physical Characteristics:

| 参数Parameter | 条件 Condition |
|------------------------------------|---|
| 工作温度范围 Operating temperature range | -25°C to +65°C(Standard) -55°C to +85°C(Optional) |
| 振动 Sine vibration(Operating) | 20-2000Hz , 10g |
| 冲击 Shocks(Non Operating) | 50g / 11ms, ½ sine |
| 射频接口 RF Connector type | SMA Female |
| 控制接口 Control connector | D-SUB 15Pin male |
| 重量 Weight | 225g Max |

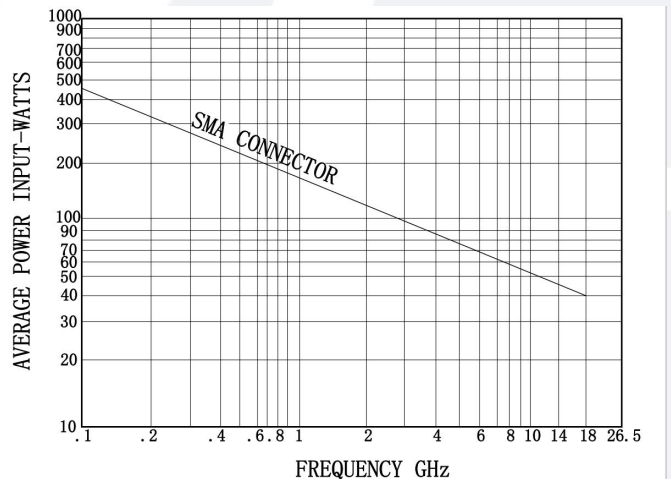
外形尺寸 Outline Drawing: Unit: mm



原理图 Schematic:



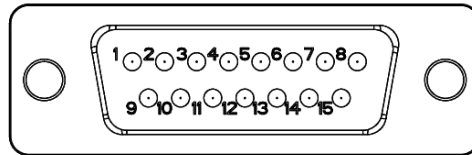
功率曲线图 Average power:



This graph is based on the following conditions:

- Ambient temperature: + 25 °C
- Sea level
- V.S.W.R.: 1 and cold switching

针脚定义 Pin Definition:



| 15 PIN D-SUB | | RF Connect Used |
|--------------|----------|-----------------|
| Pin NO. | Function | SP10T |
| 1 | V1 | 1 |
| 2 | V2 | 2 |
| 3 | V3 | 3 |
| 4 | V4 | 4 |
| 5 | V5 | 5 |
| 6 | V6 | 6 |
| 7 | V7 | 7 |
| 8 | V8 | 8 |
| 9 | V9 | 9 |
| 10 | V10 | 10 |
| 11 | -COM | |
| 12-15 | UNUSED | |

标准型号 Part Number:

| 标准型号 Part Number | 额定电压 Rated Voltage | 可选项 Option |
|------------------|-----------------------|-------------------|
| 1P10T | | |
| R1A-SN12018-D | 12VDC | -S |
| R1A-SN24018-D | 24VDC | 例如:R1A-SN12018-DS |
| R1A-SN28018-D | 28VDC | (备注, S型号满足IP65) |