

DPDT Coaxial Switches

R22-SL12T12 , Coaxial Switches , DPDT , SMA , Latching , 12VDC , TTL , DC to 12.4 GHz , Solder Pin

电气参数 Electrical Characteristics:

参数Parameter	条件Condition
频率范围 Frequency range	DC-12.4 GHz
射频阻抗 RF impedance	50 Ω
开关模式 Operation mode	Latching
开关顺序 Switch sequence	Break before make
切换时间 Switching time	15 ms max
机械寿命 Mechanical life	2 million min
TTL input	0-0.8 V(OFF), 2.4-5 V(ON)
额定电压 Rated voltage	12 VDC
工作电流 Operating current at 23 °C	400 mA



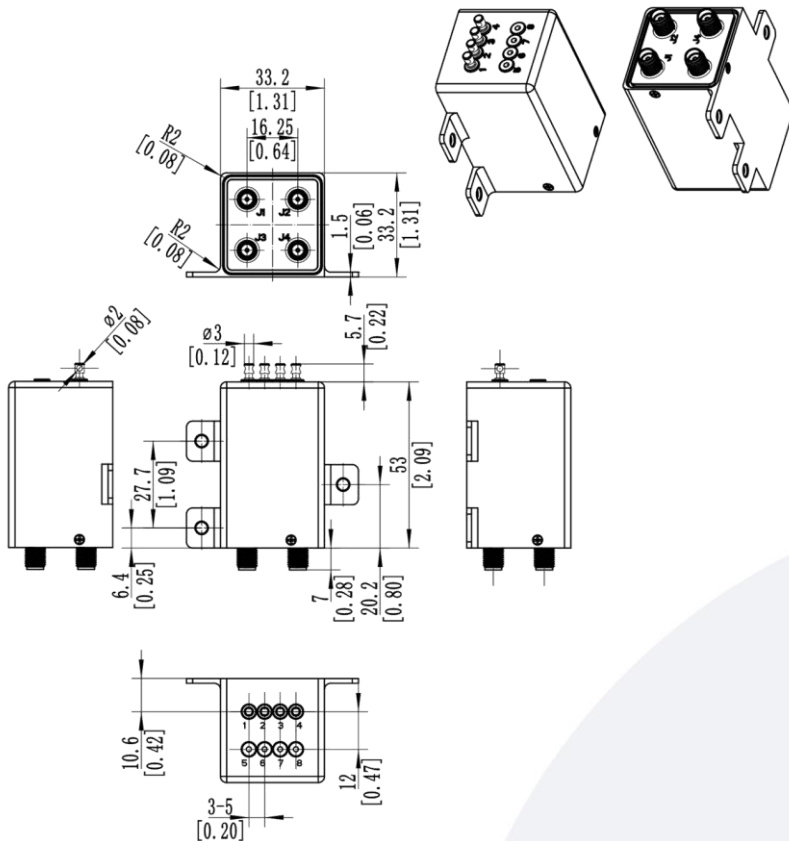
射频特性 RF Specifications:

频率范围 FREQUENCY RANGE(GHz)	DC-6	6-12.4
插入损耗 INSERTION LOSS (MAX) dB	0.2	0.25
隔离度 ISOLATION (MIN) dB	70	70
电压驻波比 V.S.W.R. (MAX)	1.3:1	1.4:1

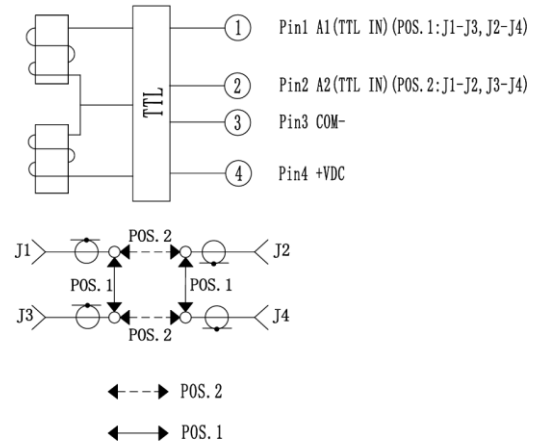
环境和物理特性 Environmental And Physical Characteristics:

参数Parameter	条件 Condition
工作温度范围 Operating temperature range	-25°C to +65°C(Standard) -55°C to +85°C(Optional)
振动 Sine vibration(Operating)	20-2000Hz , 10g
冲击 Shocks(Non Operating)	50g / 12ms, ½ sine
射频接口 RF Connector type	SMA Female
控制接口 Control connector	Solder Pin
重量 Weight	120g Max

外形尺寸 Outline Drawing: Unit: mm



原理图 Schematic:

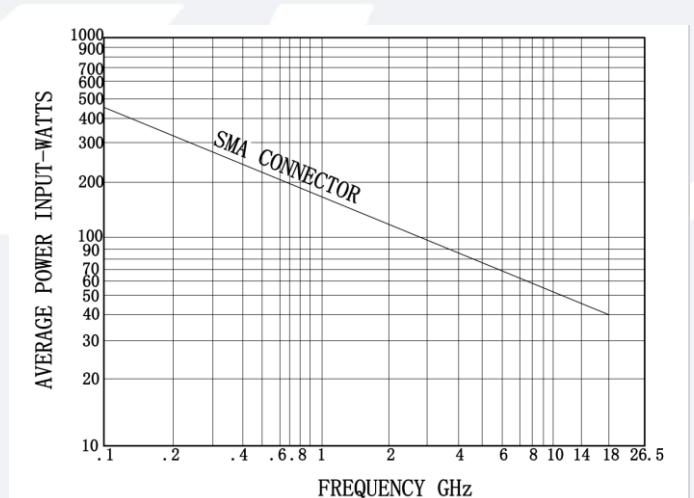


备注：双稳态，Pin1通电状态下为POS.1：J1-J3，J2-J4；给Pin2通电状态下为POS.2：J1-J2，J3-J4。

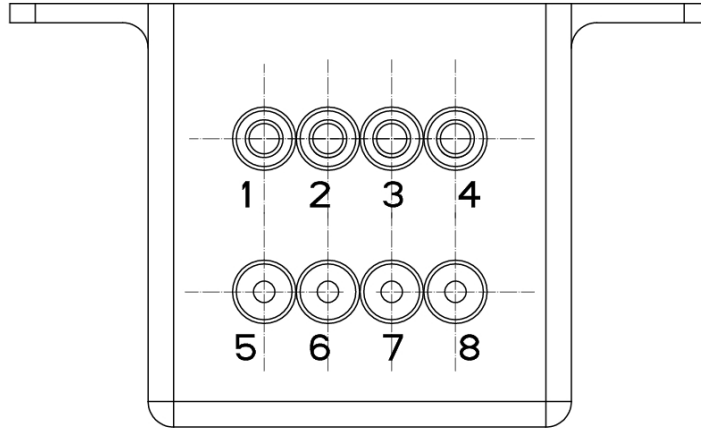
This graph is based on the following conditions:

- Ambient temperature: + 25 °C
- Sea level
- V.S.W.R.: 1 and cold switching

功率曲线图 Average power:



针脚定义 Pin Definition:



Solder Pin		RF Connect Used
Pin NO.	Function	DPDT
1	A1(TTL IN)	POS.1:J1- J3,J2- J4
2	A2(TTL IN)	POS.2:J1- J2,J3- J4
3	COM-	
4	+VDC	

标准型号 Part Number:

标准型号 Part Number	驱动电压 Actuator voltage	可选项 Option
DPDT		
R22-SL12T12	12VDC	-S 例如:R22-SL12T12-S (备注, S型号满足IP65)