

Model:TMPM-620660-02N3-1.5
**G-Band Passive Frequency Doubler
 X2, 620-660 GHz ,-3 dBm Output Power,**
Feature:

- Output Frequency: 620-660 GHz
- Output Power:-3 dBm Typ
- Compactness, HighPower & Efficiency

电气特性 Electrical Specifications:

参数Parameter	Min.	Typ.	Max.	单位Units
输出频率 Output Frequency	620		660	GHz
输出功率 Output Power		-3		dBm
输入频率 Input Frequency	310		330	GHz
输入功率 Input Power		16		dBm
倍频次数 Multiply Factor		2		

机械特性 Mechanical Specifications:

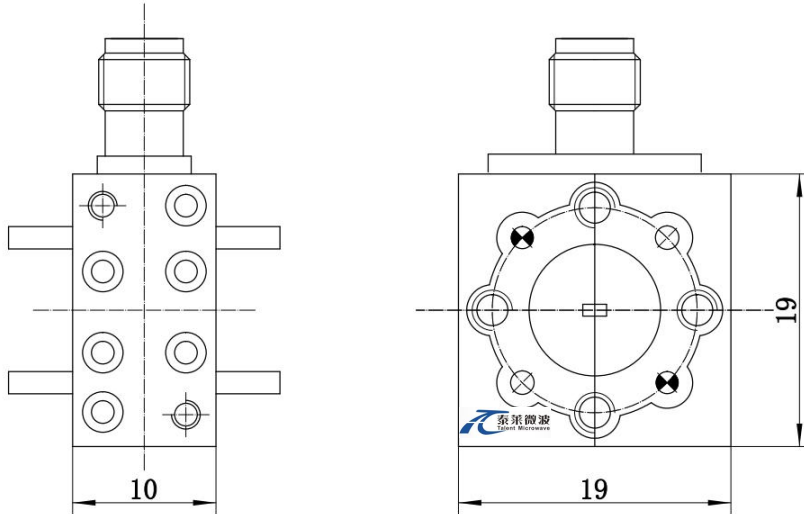
参数Parameter	指标 Value	单位Units
输出接口Output Connector	WR-1.5/UG-387	
输入接口Input Connector	WR-2.8/UG-387	
尺寸 Size	19*19*10	mm

绝对最大值 Absolute Maximum Ratings:

参数Parameter	指标 Value
输入功率 RF Input Power	18 dBm
ESD灵敏度 ESD sensitivity (HBm)	Class 0, passed 150V

外形尺寸 Outline Drawing:

Unit: mm



OBSERVE PRECAUTIONS
ELECTROSTATIC SENSITIVE
DEVICES

温度环境 Environmental Conditions:

参数Parameter	Min.	Typ.	Max.	单位Units
操作温度 Operating Temperature	0		+50	°C
存储温度 Non-operating Temperature	-25		+65	°C
相对湿度 Relative humidity		95		%
海拔 Altitude	50,000			feet
震动 Shock / Vibration(MIL-STD-810F)	25g rms (15 degree 2KHz) endurance, 1 hour per axis			
冲击 Shock(non operating)	20G for 11msc half sin wave,3 axis both directions			

订货信息 Ordering Information:

标准型号 Part Number	描述 Description	版本号Revision
TMPM-620660-02N3-1.5	Passive Frequency Doubler X2, 620-660 GHz ,-3 dBm Output Power,WR-1.5	Rev.1.1

典型曲线 Typical Performance Data:

Pin&Efficiency&Pout vs Frequency

