

Model:TLLA26.5G40G-30-30
Low Noise Amplifier
26.5-40GHz, NF:2.5dB, Gain:30dB,P1dB:0dBm
Feature:

- Ultra Wide Band: 26.5-40GHz
- Gain: 30dB Min
- Noise Figure: 2.5dB Typ
- Good Power and Gain Flatness
- 50 Ohm Matched Input / Output

电气特性 Electrical Specifications:

参数 Parameter	Min	Typ	Max	单位 Units
频率范围 Frequency range	26.5-40			GHz
增益 Gain	30			dB
增益平坦度 Gain Flatness		±1.5	±2	dB
噪声系数 Noise Figure		2.5	3	dB
线性输出功率 Output P1dB	0			dBm
输出三阶交调 Output IP3		10		dBm
输入驻波 Input VSWR		2		:1
输出驻波 Output VSWR		2		:1
直流电压 DC Voltage		12		V DC
直流电流 DC Supply Current		60		mA
阻抗 Impedance	50			Ohms

机械特性 Mechanical Specifications:

参数 Parameter	指标 Value	单位 Units
输入/输出接口 Input /Output Connector	2.92mm Female/2.92mm Female	
直流偏置 DC Bias	Solder Pin	
尺寸 Size	20*30*8	mm
重量 Weight	50	g

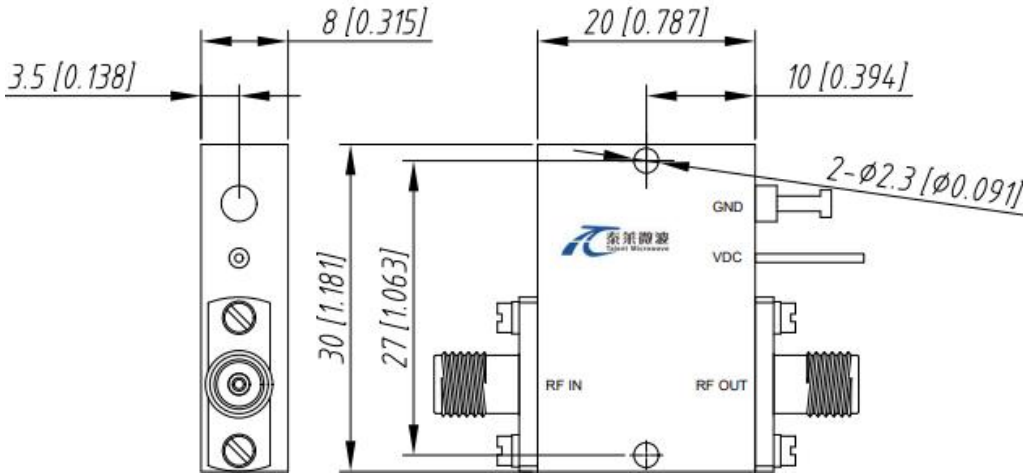
绝对最大值 Absolute Maximum Ratings:

参数 Parameter	指标 Value
供电偏置电压 Supply Bias Voltage	+15 V
输入功率 RF Input Power	-25 dBm
ESD灵敏度 ESD sensitivity (HBm)	Class 0, passed 150V


**Available 220V System
 Benchtop Amplifier**

外形尺寸 Outline Drawing:

Unit: mm(inches)



*****Heat Sink Required During Operation**



OBSERVE PRECAUTIONS
ELECTROSTATIC SENSITIVE
DEVICES

温度环境 Environmental Conditions:

参数 Parameter	Min	Typ	Max	单位 Units
操作温度 Operating Temperature	-45		+85	°C
存储温度 Non-operating Temperature	-55		+125	°C
相对湿度 Relative humidity		95		%
海拔 Altitude	50,000			feet
震动 Shock / Vibration(MIL-STD-810F)	25g rms (15 degree 2KHz) endurance, 1 hour per axis			
冲击 Shock(non operating)	20G for 11msc half sin wave,3 axis both directions			

订货信息 Ordering Information:

标准型号 Part Number	描述 Description	版本号 Revision
TLLA26.5G40G-30-30	Low Noise Amplifier, 26.5-40GHz, Noise Figure:2.5dB, Gain:30 dB,P1dB:0dBm,+12V DC,Without Heatsink	Rev.1.1
TLLA26.5G40G-30-30-HS	Low Noise Amplifier, 26.5-40GHz, Noise Figure:2.5dB, Gain:30 dB,P1dB:0dBm,+12V DC,With Heatsink	Rev.1.1