

Model:TLPA18G40G-30-32-HS
Power Amplifier
18-40GHz,Gain:30dB,Psat:32dBm
Feature:

- Ultra Wide Band: 18-40GHz
- Gain:30dB Min
- Psat Output Power:32dBm Min
- Good Power and Gain Flatness
- 50 Ohm Matched Input / Output

电气特性 Electrical Specifications:

参数Parameter	Min	Typ	Max	单位Units
频率范围 Frequency range	18-40			GHz
增益 Gain	30	33		dB
增益平坦度 Gain Flatness		±3		dB
线性输出功率 Output P1dB	30	31		dBm
饱和输出功率 Output Psat	32	33		dBm
输入驻波 Input VSWR		2	2.2	:1
输出驻波 Output VSWR		2	2.2	:1
直流电压 DC Voltage		+24		V DC
直流电流 DC Supply Current		2		A
阻抗 Impedance	50			Ohms

机械特性 Mechanical Specifications:

参数Parameter	指标 Value	单位Units
输入输出接口 Input /Output Connector	2.92 Female/2.92 Female	
直流偏置 DC Bias	Solder Pin	
尺寸 Size	140*130*52	mm
重量 Weight	/	g

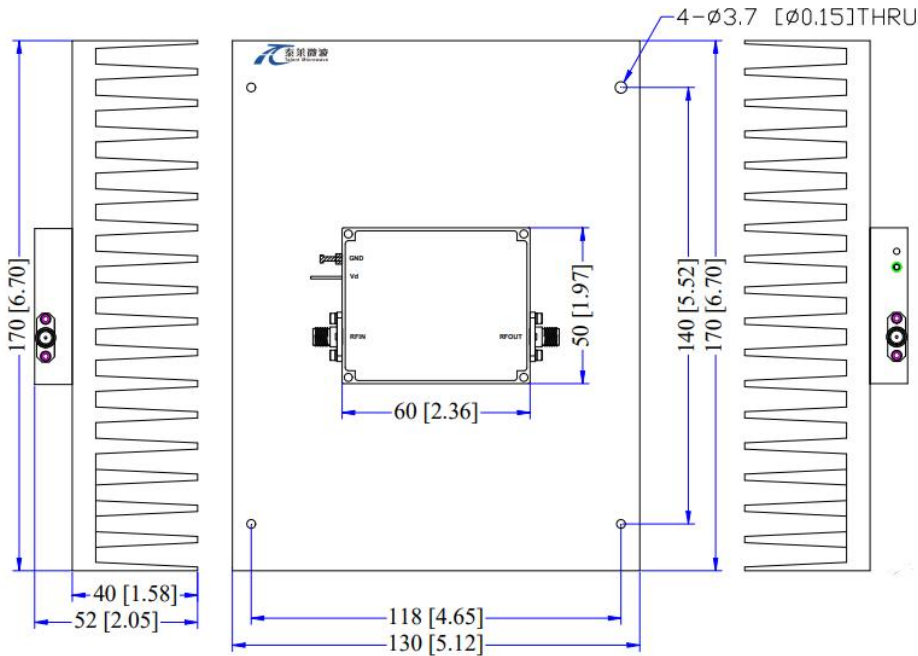
绝对最大值 Absolute Maximum Ratings:

参数Parameter	指标 Value
供电偏置电压 Supply Bias Voltage	TBD
输入功率 RF Input Power	5dBm
ESD灵敏度 ESD sensitivity (HBm)	Class 0, passed 150V


**Available 220V System
 Benchtop Amplifier**

外形尺寸 Outline Drawing:

Unit: mm



温度环境 Environmental Conditions:



OBSERVE PRECAUTIONS
ELECTROSTATIC SENSITIVE
DEVICES

参数Parameter	Min	Typ	Max	单位Units
操作温度 Operating Temperature	-25		+85	°C
存储温度 Non-operating Temperature	-55		+125	°C
相对湿度 Relative humidity		95		%
海拔 Altitude	30,000			feet
震动 Shock / Vibration(MIL-STD-810F)	25g rms (15 degree 2KHz) endurance, 1 hour per axis			
冲击 Shock(non operating)	20G for 11msc half sin wave,3 axis both directions			

订货信息 Ordering Information:

标准型号 Part Number	描述 Description	版本号Revision
TLPA18G40G-30-32-HS	Power amplifier 18-40GHz,Gain:30dB,Psat:32dBm,+24V DC,With Heatsink.	Rev.1.1