

Model: TLBT-16K43G-50-KS
Broadband Bias Tee
2.92mm,16KHz-43GHz,50V
Feature:

- Ultra Wide Band: 16KHz-43GHz
- Low Insertion Loss
- High Voltage
- High Current Capacity

Electrical Specifications:

Parameter	Min.	Typ.	Max.	Units
Frequency range	16KHz-43			GHz
Insertion Loss			3.0	dB
Return Loss		-12		dB
Isolation		30		dB
DC Voltage			50	V DC
DC Current			500	mA
RF Power			1	W

Mechanical Specifications:

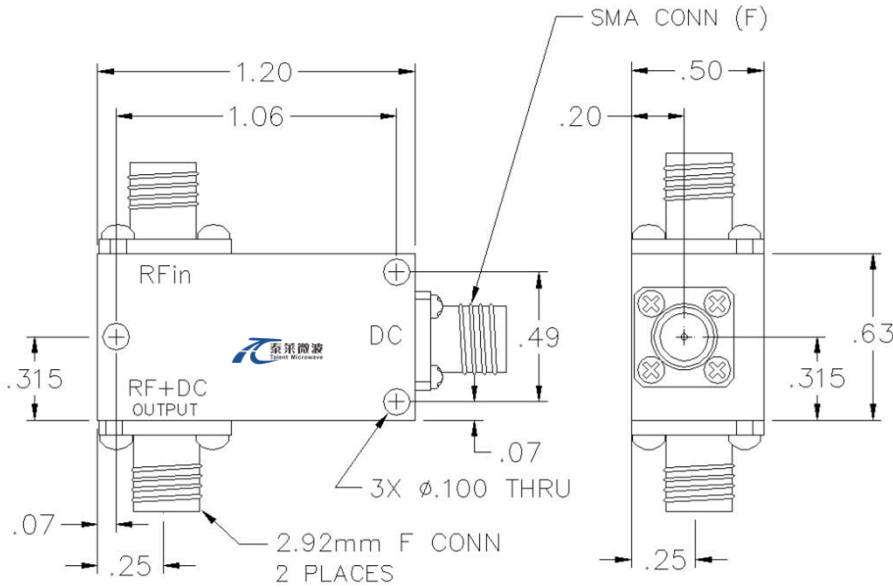
Parameter	Value	Units
Input /Output Connector	2.92mm Female	
DC Connector	SMA Female	
Case Material	Aluminum	
Finish	Blue Paint	
Size	15*32*10	mm
Weight	45	g

Absolute Maximum Ratings:

Parameter	Value
Bias DC Voltage	+50 V DC
RF Input Power	+30 dBm
ESD sensitivity (HBm)	Class 0, passed 150V

Outline Drawing:

Unit: Inches



Environmental Conditions:

Parameter	Min.	Typ.	Max.	单位Units
Operating Temperature	-45		+85	°C
Non-operating Temperature	-55		+125	°C
Relative humidity		95		%
Altitude	50,000			feet
Shock / Vibration(MIL-STD-810F)	25g rms (15 degree 2KHz) endurance, 1 hour per axis			
Shock(non operating)	20G for 11msc half sin wave,3 axis both directions			

Ordering Information:

Part Number	Description	Revision
TLBT-16K43G-50-KS	Broadband Bias Tee 2.92mm,16KHz-43GHz,50V	Rev.1.1

Notes:

1. All data taken @ +23°C unless otherwise specified.
2. Dimensions and specifications may be changed without prior notice.