

Model:TLPA6G18G-40-30
Power Amplifier
6-18GHz,Gain:40dB,Psat:30dBm
Feature:

- Ultra Wide Band: 6-18GHz
- Gain: 40 dB Typ
- Psat Output Power: 30 dBm Min
- Good Power and Gain Flatness
- 50 Ohm Matched Input / Output

电气特性 Electrical Specifications:

参数 Parameter	Min	Typ	Max	单位 Units
频率范围 Frequency range	6-18			GHz
增益 Gain		40		dB
增益平坦度 Gain Flatness		±2.5		dB
饱和输出功率 Output Psat	30	33		dBm
输入驻波 Input VSWR		1.8	2.2	:1
输出驻波 Output VSWR		1.8	2.2	:1
直流电压 DC Voltage	+8			V DC
直流电流 DC Supply Current	1.4			A
阻抗 Impedance	50			Ohms

机械特性 Mechanical Specifications:

参数 Parameter	指标 Value	单位 Units
输入输出接口 Input /Output Connector	SMA Female/SMA Female	
直流偏置 DC Bias	Solder Pin	
尺寸 Size	52*44*13	mm
重量 Weight	/	g

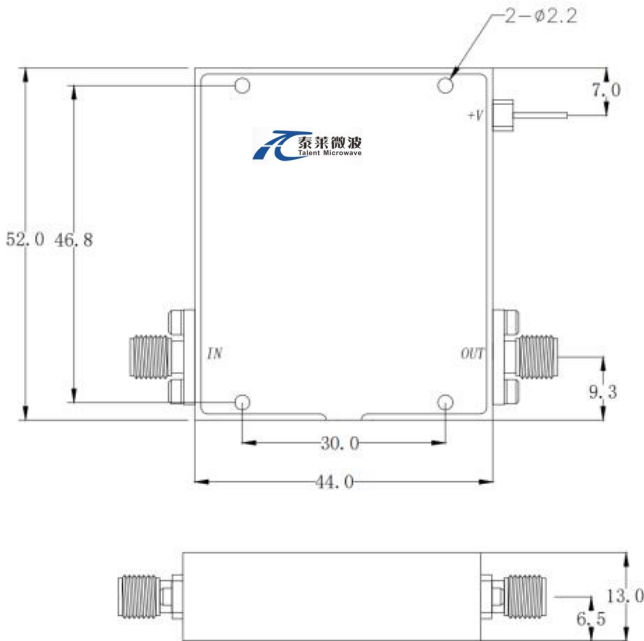
绝对最大值 Absolute Maximum Ratings:

参数 Parameter	指标 Value
供电偏置电压 Supply Bias Voltage	TBD
输入功率 RF Input Power	TBD
ESD灵敏度 ESD sensitivity (HBm)	Class 0, passed 150V


**Available 220V System
 Benchtop Amplifier**

外形尺寸 Outline Drawing:

Unit: mm



*****Heat Sink Required During Operation**



OBSERVE PRECAUTIONS
ELECTROSTATIC SENSITIVE
DEVICES

温度环境 Environmental Conditions:

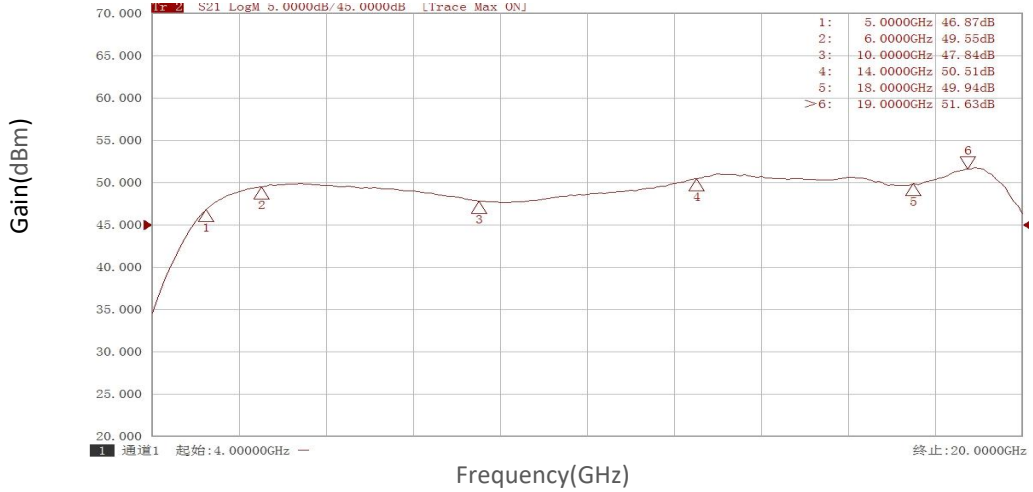
参数 Parameter	Min	Typ	Max	单位 Units
操作温度 Operating Temperature	-45		+85	°C
存储温度 Non-operating Temperature	-55		+125	°C
相对湿度 Relative humidity		95		%
海拔 Altitude	30,000			feet
震动 Shock / Vibration(MIL-STD-810F)	20g,11ms,saw-tooth			
冲击 Shock(non operating)	20G for 11msc half sin wave,3 axis both directions			

订货信息 Ordering Information:

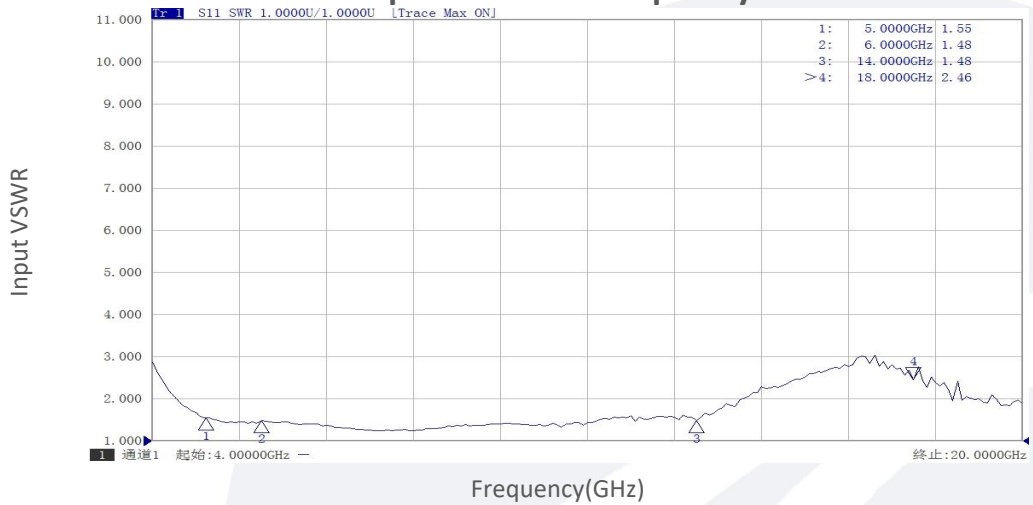
标准型号 Part Number	描述 Description	版本号 Revision
TLPA6G18G-40-30	Power amplifier 6-18GHz,Gain:40dB,Psat:30dBm, +8V DC,Without Heatsink	Rev.1.1
TLPA6G18G-40-30-HS	Power amplifier 6-18GHz,Gain:40dB,Psat:30dBm, +8V DC,With Heatsink	Rev.1.1

典型曲线 Typical Performance Data:

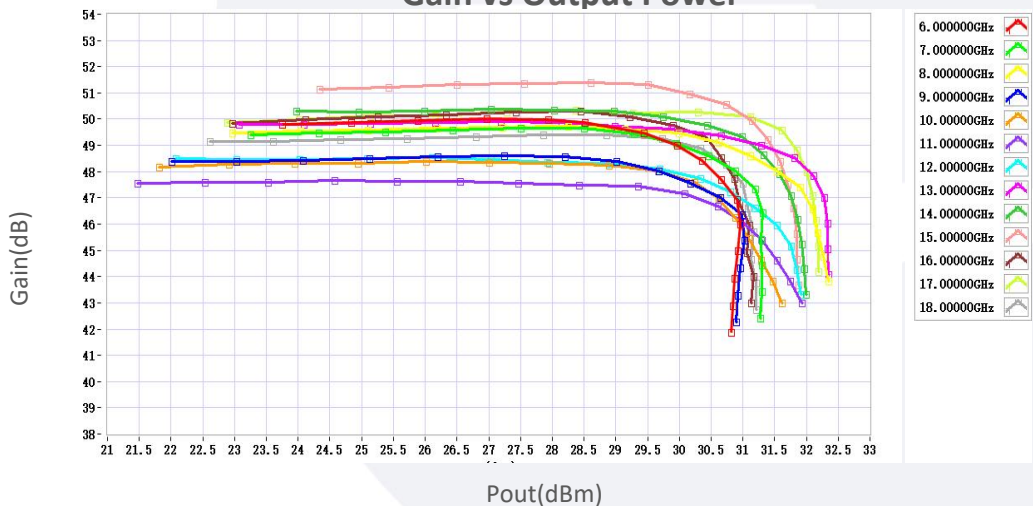
Gain vs Frequency



Input VSWR vs Frequency

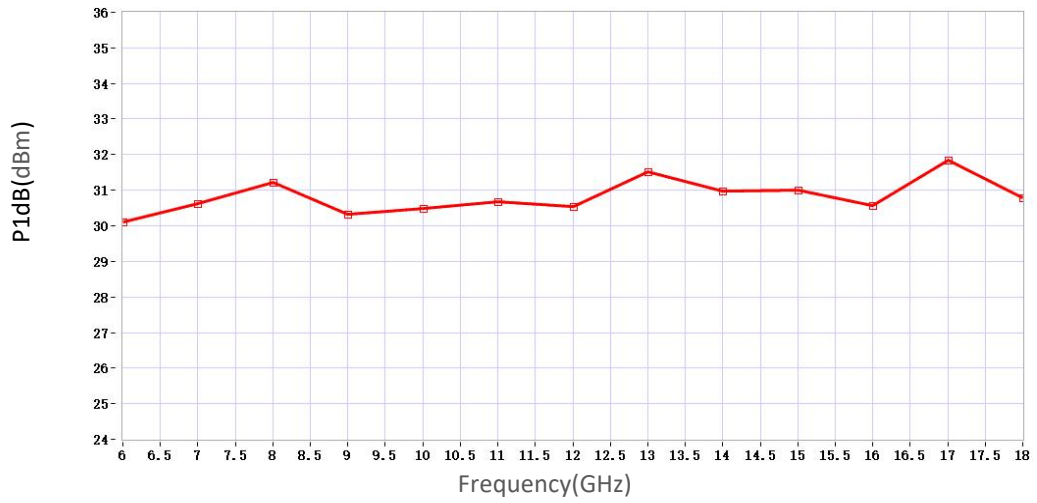


Gain vs Output Power



典型曲线 Typical Performance Data:

P1dB vs Frequency



P3dB vs Frequency

