

Model: TLVE-220330-N8
**VNA Frequency Extender
220-330 GHz,WR-03**
Feature:

- Ultra Wide Band: 220-330 GHz
- Port Output Power (No Attenuation): -8 dBm Typ
- Dynamic Range @ 10 Hz BW: 100dB Typ
- Unconditional stability

电气特性 Electrical Specifications :

参数Parameter	Min.	Typ.	Max.	单位Units
频率范围 Frequency range	220		330	GHz
输出功率 Port Output Power		-8		dBm
输入功率 Input Power (Damage)			20	dBm
输出功率衰减 Output Power Attenuation (Option:Variable attenuators)	0		30	dB
动态范围 Dynamic Range @ 10 Hz BW		100		dB
方向性 Directivity		20		dB
射频输入频率 RF Input Frequency	12.22		18.33	GHz
射频输入功率 RF Input Power	+3	+5	+7	dBm
射频倍频次数 RF Multiplication Factor		18		
本振输入频率 LO Input Frequency	12.22		18.33	GHz
本振输入功率 LO Input Power	+3	+5	+7	dBm
本振倍频次数 LO Multiplication Factor		18		
中频频率范围 IF Frequency Range	10		1000	MHz
幅度稳定度 Stability @ 300 Hz BW		±0.3		dB
相位稳定度 Phase Stability @ 300 Hz BW		6		°

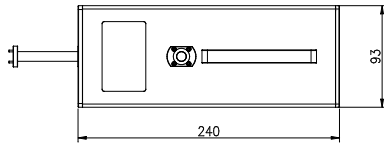
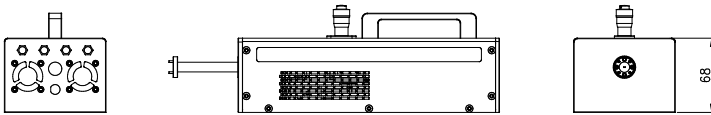
机械特性 Mechanical Specifications :

参数Parameter	指标 Value
射频输入接口 RF Input Connector	SMA Female
本振输入接口 LO Input Connector	SMA Female
中频输出接口 IF Input Connector	SMA Female
射频输出接口 RF Output Connecto	WR-03/UG-387
供电引脚 Power Supply Pin	FGG 0B 4 Core
尺寸 Size	260*80.2* 120mm

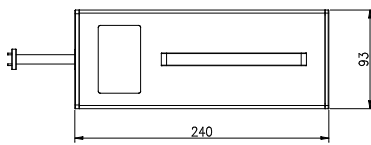
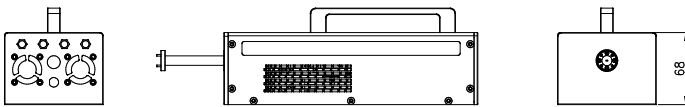
绝对最大值 Absolute Maximum Ratings:

参数Parameter	指标 Value
供电偏电压 Supply Bias Voltage	240V
输入功率 Input Power	20dBm

外形尺寸 Outline Drawing:

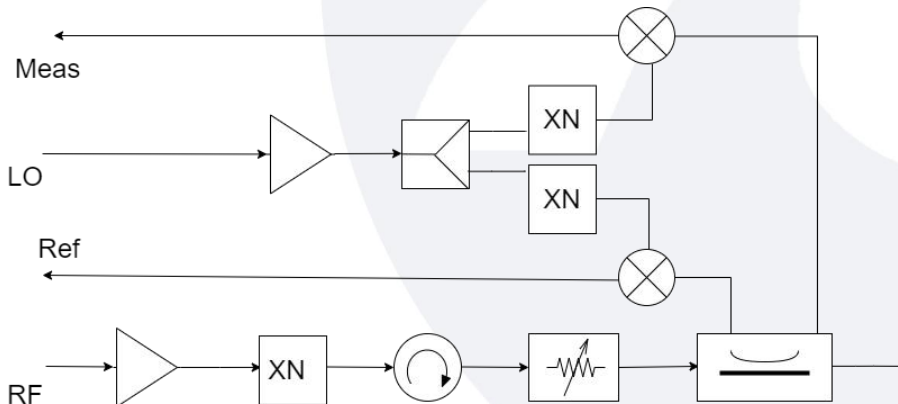


TLVE-220330-N8-A



TLVE-220330-N8

原理框图 Block Diagrams:



温度环境 Environmental Conditions:

参数Parameter	Min.	Typ.	Max.	单位 Units
操作温度 Operating Temperature	0		+50	°C
存储温度 Non-operating Temperature	-45		+125	°C
相对湿度 Relative humidity		95		%
海拔 Altitude	50,000			feet
震动 Shock / Vibration(MIL-STD-810F)	25g rms (15 degree 2KHz) endurance, 1 hour per axis			
冲击 Shock(non operating)	20G for 11msc half sin wave,3 axis both directions			

订货信息 Ordering Information:

标准型号 Part Number	描述 Description	版本号Revision
TLVE-220330-N8	VNA Frequency Extender, 220-330 GHz, Output Power:-8dBm Typ., Dynamic Range:100 dB Typ., Magnitude Stability @ 300 Hz BW:±0.3dB,Phase Stability @ 300 Hz BW:6°	Rev.1.1
TLVE-220330-N8-A	VNA Frequency Extender, 220-330 GHz, Output Power:-8dBm Typ., Dynamic Range:100 dB Typ., Magnitude Stability @ 300 Hz BW:±0.3dB,Phase Stability @ 300 Hz BW:6°,with Micrometer driven variable attenuators	Rev.1.1

随货配件 Components Included :

标准型号 Part Number	描述 Description	数量 Quantity
S1-SMAMSMAM-1.2m	COAXIAL CABLE ASSEMBLY	4 PCS
TLACTDC-22012	AC-to-DC Power Adapter	1 PCS

Notes:

1. Dimensions and specifications may be changed without prior notice.
2. Standard Warranty:three years.