

Part No.: TLVP-2G4G-360

360° Phase Shift 2-4GHz

电气特性 Electrical:

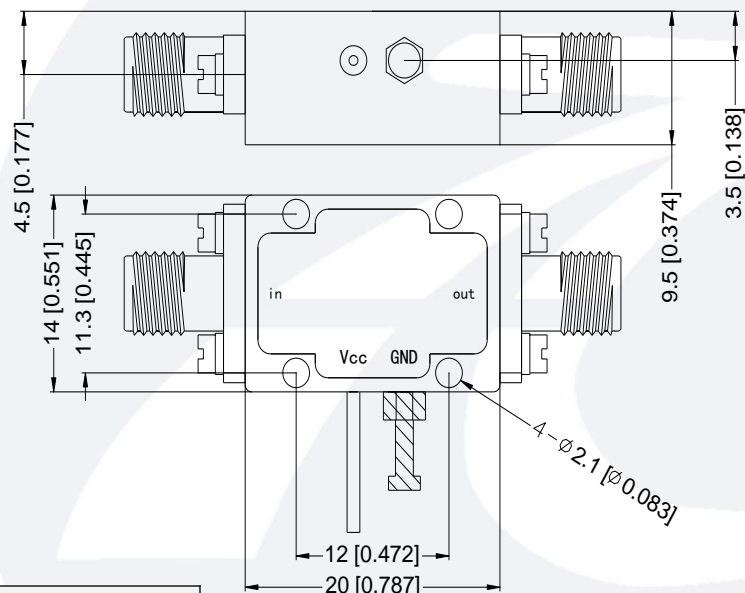
工作频率 Frequency Range: 2-4 GHz
 插入损耗 Insertion Loss: $\leq 5.5\text{dB}$
 驻波 VSWR: $\leq 2.5:1$
 移项 Phase Range: 360°
 相位 Phase Flatness: $\pm 15^\circ$
 控制电压 Control Voltage: 0-12V
 衰减平衡 Amplitude Balance: $\leq \pm 2\text{ dB}$
 current: 5 mA
 功率 Power Handling Input Power for 0.1 dB
 Compression: 25dBm

机械特性 Mechanical:

温度范围 Temperature Range: $-55^\circ\text{C} - +85^\circ\text{C}$
 阻抗 Impedance: 50 OHMS
 接口 Connectors: SMA-Female
 相对湿度 Relative Humidity: 0 ~ 90%

外形尺寸 Outline Drawing:

Unit: mm



Absolute Maximum Ratings

Control Voltage	0~ 13V
RF Input power	+27dBm
Operating Temperature(°C)	-45 ~ +85
Storage Temperature(°C)	-50 ~ +125

