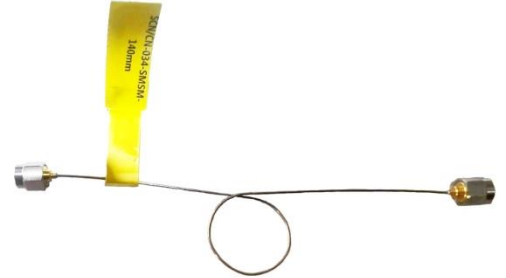


## 0.86mm SS-SS Cryogenic Cable Assemblies

G034SS /SMA Male / SMA Male/DC-18 GHz

Model: G034SS-SMAMSMAM-L



### Features:

- Max Frequency 18 GHz
- VSWR max of 1.35

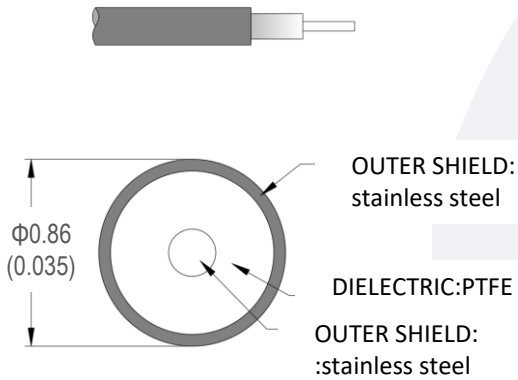
### Applications:

- Dilution refrigerators/Cryogenic devices
- Quantum Computing
- Vacuum Chambers

### Electrical Characteristics:

Parameter	Min	Typ	Max	Units
Frequency Range	DC		18	GHz
VSWR		1.25	1.35	:1
Shielding Effectiveness		110		dB
Capacitance			98	pF/m
Impedance		50		ohm

### Cable Cross Section:



### Environmental And Physical Characteristics:

Description	Parameter	Units
Cable Diameter	0.86	mm
Min. Bending Radius	5.0	mm
Thermal conductivity@4-20K	25	μw/k
Operating Temperature	10mk to +100	°C
Storage Temperature	-55 to +200	°C

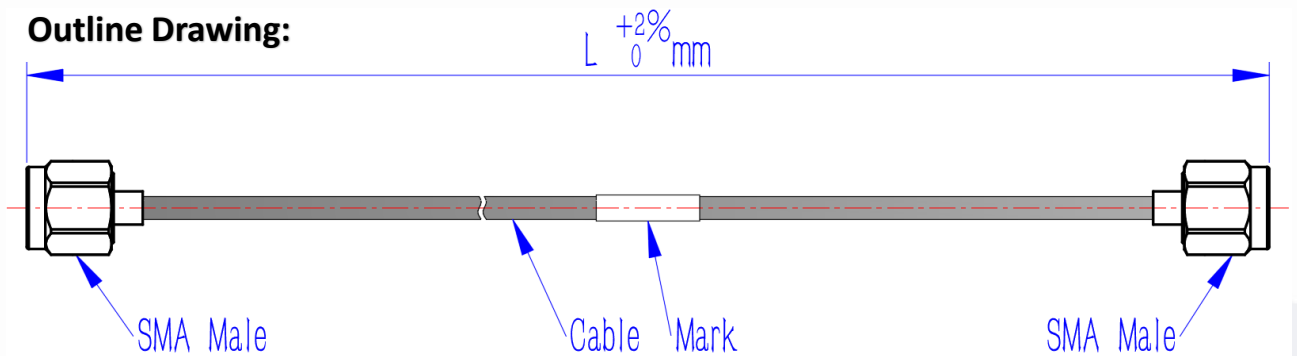
### Cable Performance By Frequency

Frequency	0.5 GHz	1GHz	5 GHz	10 GHz	20 GHz
Insertion Loss (dB/m)@300K	4.44	5.88	13.39	19.24	27.81
Power(Watts CW)	30.5	21.5	9.5	6.6	4.6

**Connectors:**

Description	Connector 1	Connector 2
Type	SMA Straight Male	SMA Straight Male
Contact Material And Plating	Brass,Gold	Brass,Gold
Dielectric Type	PTFE	PTFE
Body Material And Plating	SS304	SS304
Insertion Loss (dB Max)	$0.05 * \sqrt{f\_GHz}$	$0.05 * \sqrt{f\_GHz}$

**Outline Drawing:**



**Ordering Information:**

Base Number	Length (Unit mm)	Custom Design Services
G034SS-SMAMSMAM	-L	LEAVE BLANK(NOT REQUIRED) -CB(Precision CNC Bends)