

**Part No: TAXXA500-N-6**

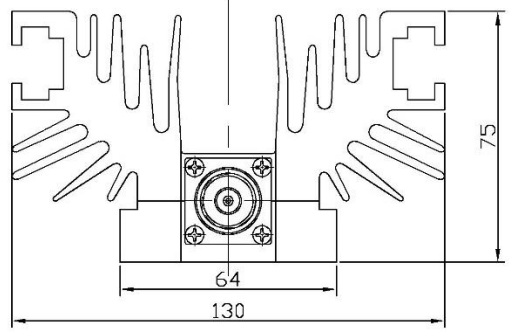
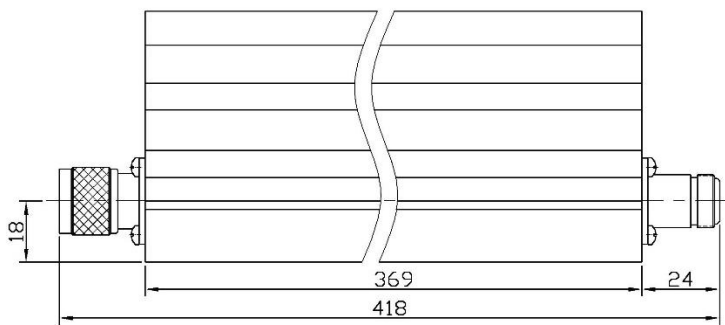
**N Attenuators • Male to Female • DC – 6GHz - 500 W**

**电气特性 ELECTRICAL**

• <b>Frequency Range</b>	DC – 4GHz	DC-6 GHz
• <b>Attenuation (dB)</b>	30..... -1.0/+1.2dB	30..... -1.2/+1.5dB
	40 ..... -1.0/+1.2dB	40 ..... -1.2/+1.5dB
	50 ..... -1.0/+1.2dB	50 ..... -1.2/+1.5dB
• <b>VSWR (MAX)</b>	DC – 4GHz..... 1.30: 1	DC – 6GHz..... 1.35: 1
• <b>Impedance</b>	50 Ohms	
• <b>RF Power Rating</b>	500Watts Average at 25°C	

**机械特性 MECHANICAL**

- **Body Material:** Black, Finned Aluminum
- **Center conductor:** Gold-plated, Phosphor bronze
- **Connectors:** Nickel plated Brass
- **Weight:** 4.5 Kg



Unit:mm

**订货信息 ORDER**

