

Part No: TAXXA300-N-6

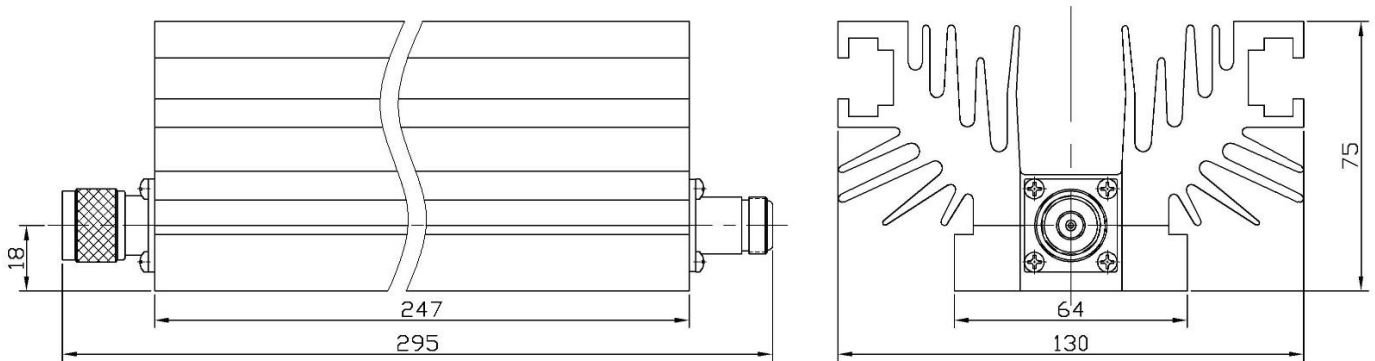
N Attenuators • Male to Female • DC – 6GHz - 300 W

电气特性 ELECTRICAL

- **Frequency Range** DC – 6GHz
- **Attenuation (dB)**
 - 30 -1.2/+1.2dB
 - 40 -1.2/+1.2dB
 - 50 -1.2/+1.2dB
- **VSWR (MAX)** DC – 6GHz..... 1.35: 1
- **Impedance** 50 Ohms
- **RF Power Rating** 300Watts Average at 25°C

机械特性 MECHANICAL

- **Body Material:** Black, Finned Aluminum
- **Center conductor:** Gold-plated, Phosphor bronze
- **Connectors:** Nickel plated Brass
- **Weight:** 3Kg



Unit:mm

订货信息 ORDER

TAXXA300-N-6
 ↓
 dB