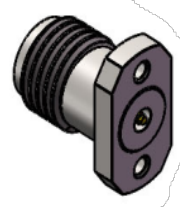
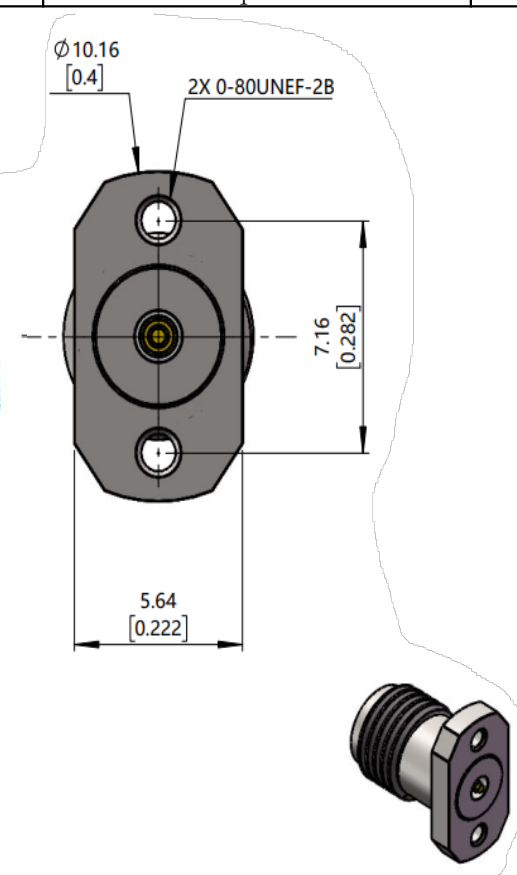
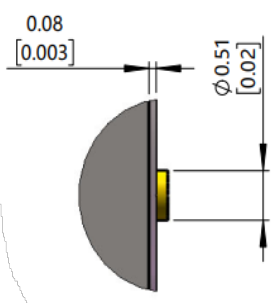


TalentMW



Electrical & Environmental Characteristics

Impedance	50 Ohm
Insulation Resistance	5000 MΩ
Operating Frequency	DC~27 GHz
Dielectric Withstanding Voltage	500 Vrms
VSWR	≤1.20:1
Insertion Loss	≤0.4 dB
Operating Temperature	-55~+165℃

Material & Coat-Plating

Inner Conductor	Beryllium Copper, Gold
Dielectric	PTFE
Outer Conductor	Stainless Steel,
Mounting Lug	NA

DETAIL A(15:1)

THIS DRAWING IS A CONTROLLED DOCUMENT		DWN	Suzhou Talent Microwave, Inc			
		CHK				
Unit mm	TOLERANCES UNLESS OTHERWISE SPECIFIED 0 PLC ±0.25 1 PLC ±0.15 2 PLC ±0.12 3 PLC ± 3 PLC ± ANGLES ±1°	APVD	Product Mode TLSAFD1351F09E SMA Female Straight Connector For PCB			
		PRODUCT SPEC				
MATERIAL SEE TABLE	FINISH SEE TABLE	APPLICATION SPEC	SIZE A4	GAGE CODE 0T8L4	DRAWING NO	
		WEIGHT	CUSTOMER DRAWING		SCALE 4: 1	SHEET1 OF 1
						RVE 1