

**Model: TLP A6G18G-24-30**
**Power amplifier, 6-18GHz, Gain: 24dB,  
 Psat: 30 dBm**
**Feature:**

- Ultra Wide Band: 6-18GHz
- Gain: 24dB
- Psat Output Power: 30 dBm Min
- Good Power and Gain Flatness
- 50 Ohm Matched Input / Output

**电气特性 ELECTRICAL:**

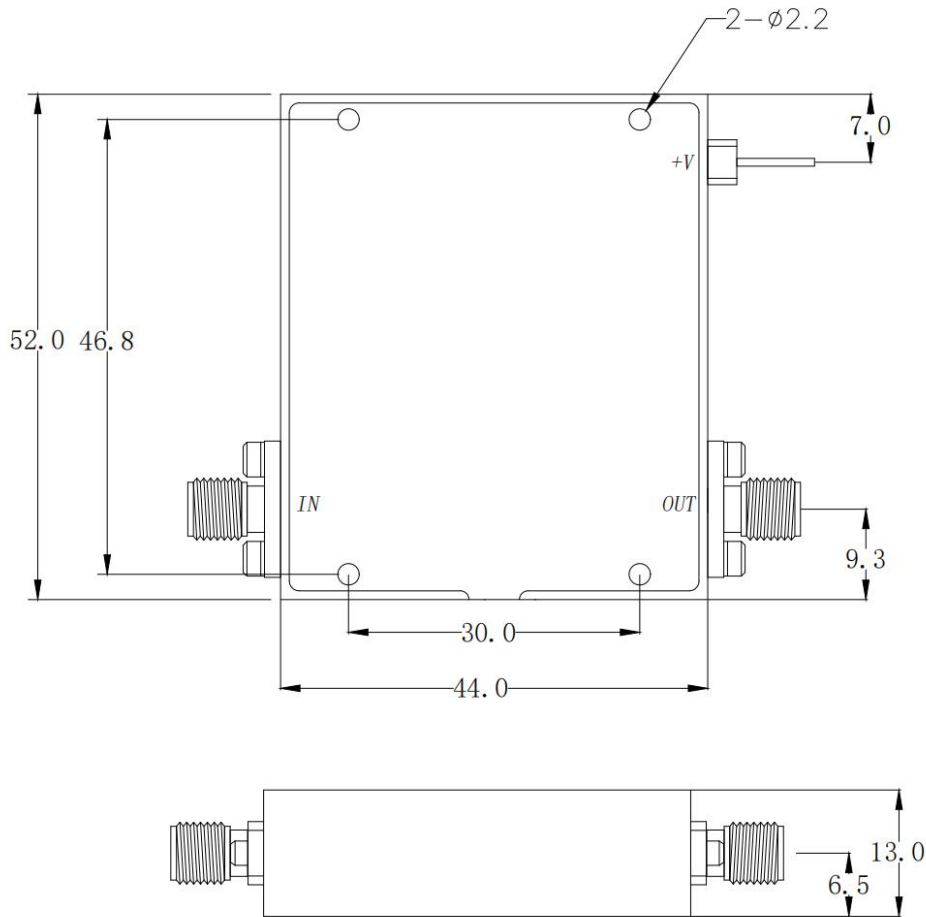
参数Parameter	Min.	Typ.	Max.	Units
频率范围 Frequency range	6-18			GHz
增益 Gain		24		dB
增益平坦度 Gain Flatness		±2.5		dB
饱和输出功率 Psat	30	33		dBm
输入驻波 Input VSWR		1.8	2.2	:1
输出驻波 Output VSWR		1.8	2.2	:1
直流电压 DC Voltage		8		V DC
直流电流 DC Supply Current	600			mA
阻抗 Impedance	50			Ohms

**机械特性 Mechanical :**

参数Parameter	Specification	Units
输入输出接口 Input /Output Connector	SMA(f)	
直流偏置 Bias	Solder Pin	
重量 Weight	1000	g

外形尺寸 Outline Drawing:

Unit: mm(inches)



Heatsink is required.

温度环境 Environmental Conditions:

参数Parameter	Min.	Typ.	Max.	Units
操作温度 Operating Temperature	-45		+85	°C
存储温度 Non-operating Temperature	-55		+125	°C
相对湿度 Relative humidity		95		%
海拔 Altitude	30,000			feet
震动 Shock / Vibration(MIL-STD-810F)	20g,11ms,saw-tooth			

测试曲线

## Gain&Retun Loss

