

Part No.: TC-80120-10S

10dB Directional Coupler SMA-Female 50Ω 8-12G

电气特性 Electrical:

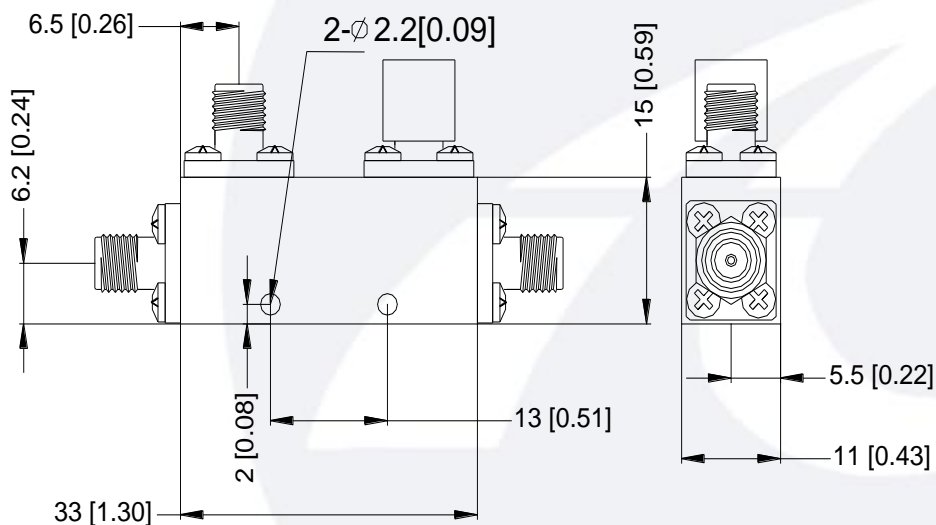
工作频率 Frequency Range: 8-12 GHz
 耦合度 Coupling: 10 ± 1.0db
 插入损耗 Insertion Loss: 0.5db typ, 0.6db max
 方向性 Directivity: 15db typ, 14db min
 驻波 VSWR: 1.4 max
 耐功率 Power Handling: 50 Watt
 阻抗 Impedance: 50 OHMS

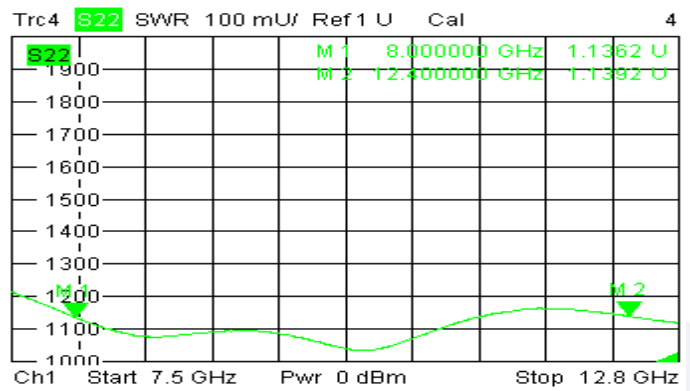
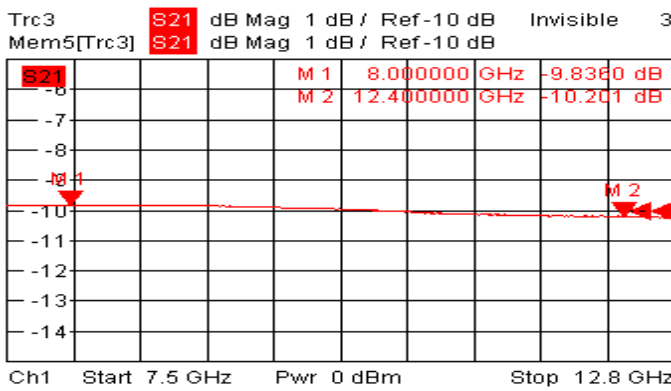
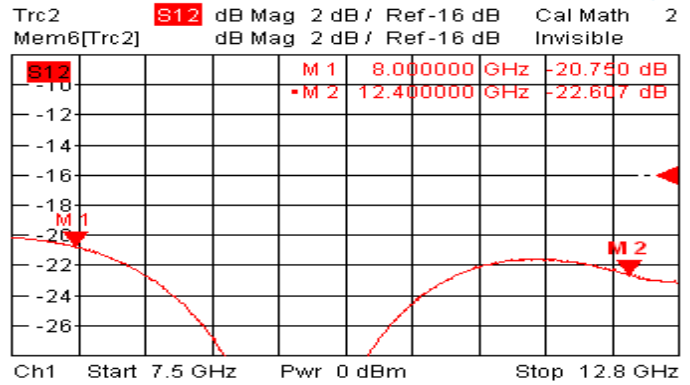
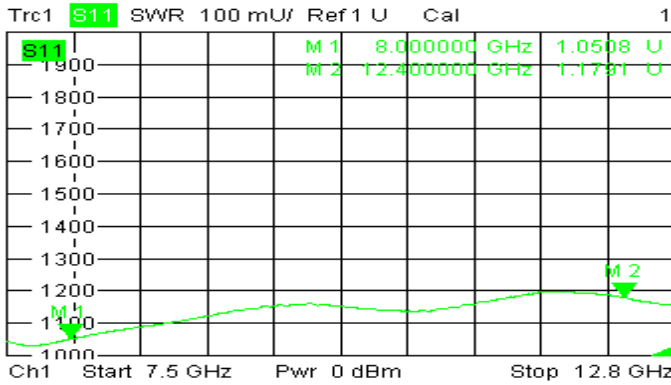
机械特性 Mechanical:

温度范围 Temperature Range: -45° C - +85° C
 接口 Connectors: SMA-Female
 相对湿度 Relative Humidity: 0 ~ 90%

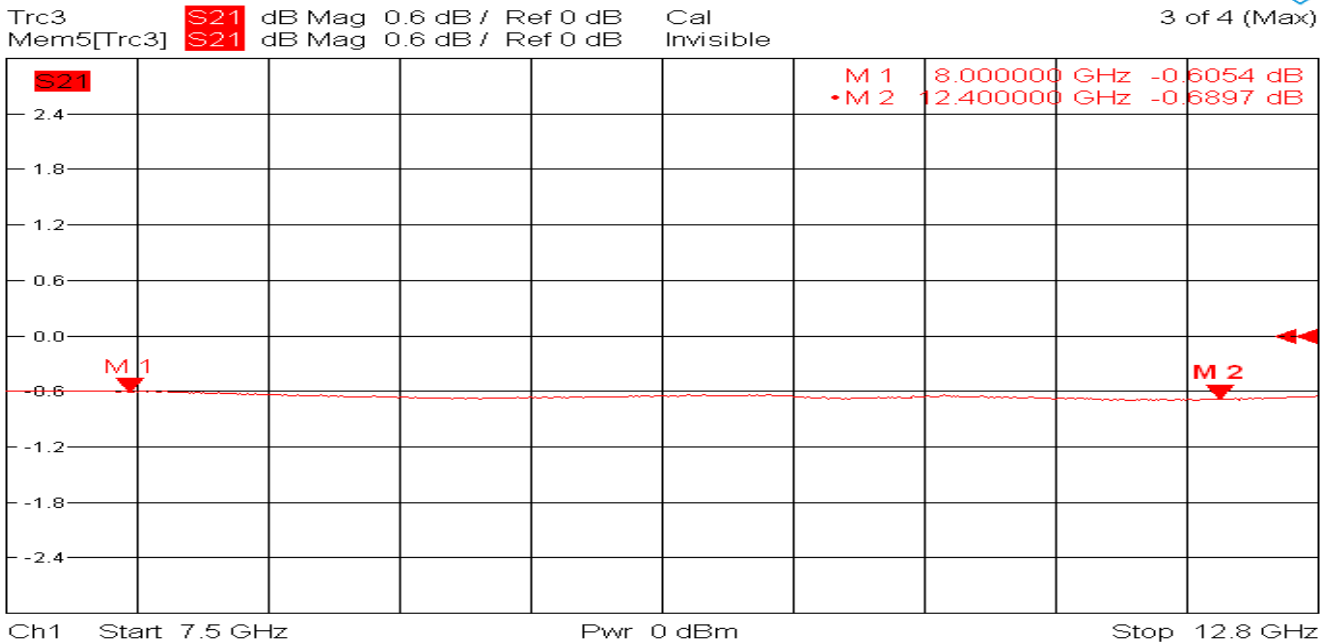
外形尺寸 Outline Drawing:

Unit: mm





10/12/2019, 11:30 AM



10/12/2019, 11:36 AM