

Part No: TC-0460-10N

10dB Coupling

电气特性 ELECTRICAL:

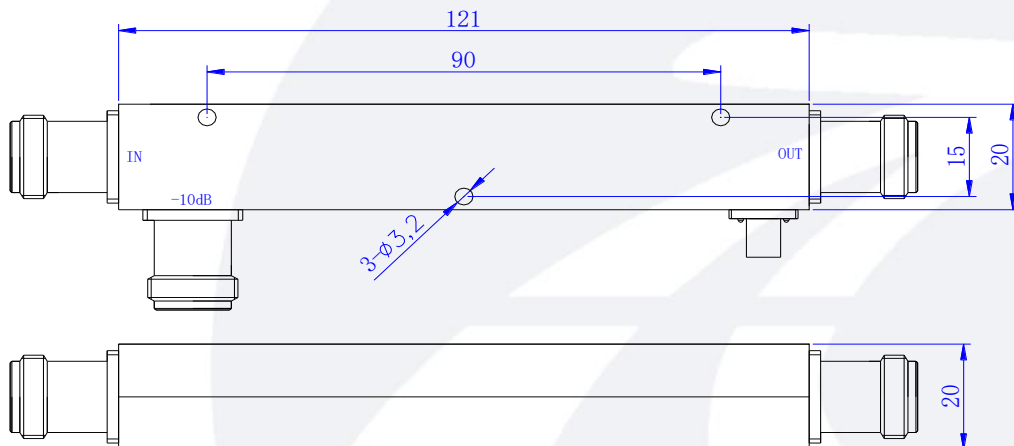
工作频率 Frequency Range: 400-6000MHz
 耦合 Coupling: 10dB \pm 1.5dB
 插入损耗 Insertion Loss: 1.5db max
 方向性 Directivity: \geq 12dB
 驻波 VSWR: 1.5Max
 耐功率 Power Handling: \leq 30 Watt
 阻抗 Impedance: 50 OHMS

机械特性 MECHANICAL :

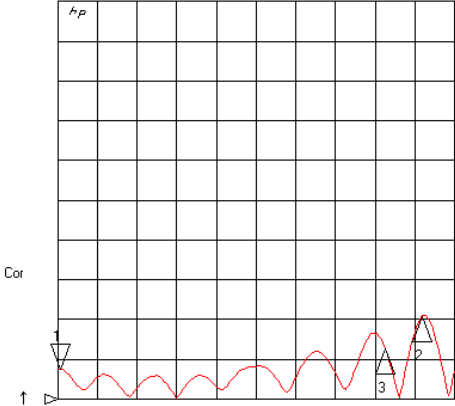
温度范围 Temperature Range: -40° C - +80° C
 接口 Connectors: N-Female
 相对湿度 Relative Humidity: 0 ~ 90%

外形尺寸 Outline Drawing:

Unit: mm/IN



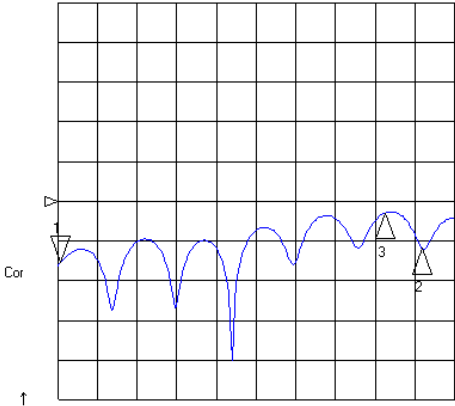
CH1 SWR 100 m / REF 1
S11 1 : 1. 0758 . 400 000 000 GHz



CH1 Markers
2 : 1. 2075
6. 00000 GHz
3 : 1. 1271
5. 42676 GHz

START 350 . 000 MHz STOP 6500 . 000 MHz

CH3 LOG 10 dB / REF -22 dB
MEM 1 : -37 . 229 dB . 400 000 000 GHz

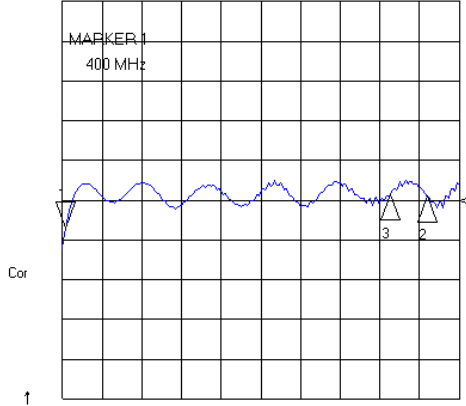


CH3 Markers
2 : -33 . 817 dB
6. 00000 GHz
3 : -24 . 914 dB
5. 42676 GHz

START 350 . 000 MHz STOP 6500 . 000 MHz
2002-1-1 01:25:55

20 Nov 2019 05:14:06

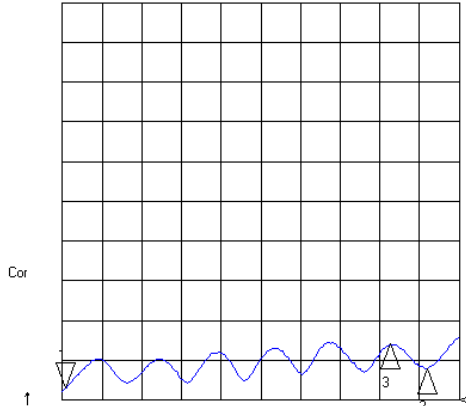
CH2 LOG 1.5 dB / REF -10 dB
S21 1 : -11 . 037 dB . 400 000 000 GHz



CH2 Markers
2 : -9 . 8430 dB
6. 00000 GHz
3 : -9 . 7840 dB
5. 42676 GHz

START 350 . 000 MHz STOP 6500 . 000 MHz

CH4 SWR 100 m / REF 1
S22 1 : 1. 0309 . 400 000 000 GHz



CH4 Markers
2 : 1. 0806
6. 00000 GHz
3 : 1. 1415
5. 42676 GHz

START 350 . 000 MHz STOP 6500 . 000 MHz