

Part No.: TBG-1020-3S-180

180 Degree 3dB Bridge

电气特性 Electrical:

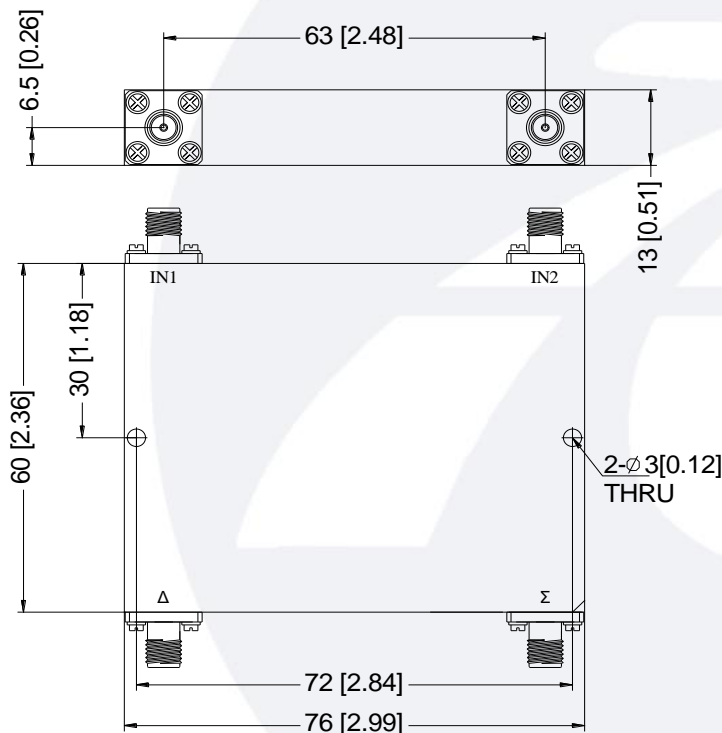
工作频率 Frequency Range: 1-2GHz
 耦合度 Coupling: 3dB
 插入损耗 Insertion Loss: 0.4db typ, 0.5db max
 隔离度 Isolation: 23db typ, 22db min
 驻波 VSWR: 1.25 typ, 1.35 max
 幅度平衡 Amplitude Balance: $\pm 0.5\text{dB}$ max
 相位平衡 Phase Balance: $\leq \pm 10$ degree
 耐功率 Power Handling: 50 Watt
 阻抗 Impedance: 50 OHMS

机械特性 Mechanical:

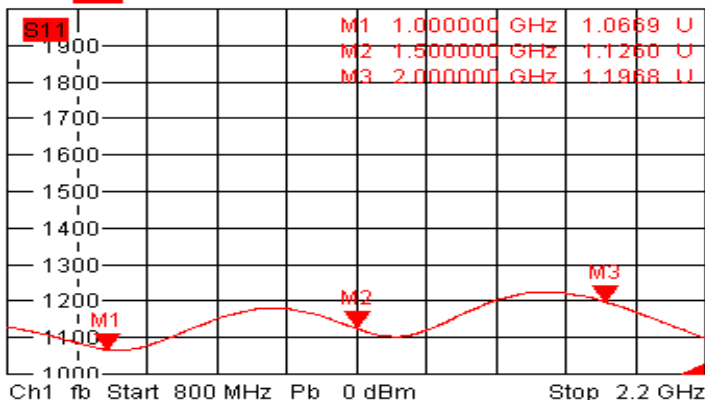
温度范围 Temperature Range: $-45^{\circ}\text{C} - +85^{\circ}\text{C}$
 接口 Connectors: SMA-Female
 相对湿度 Relative Humidity: 0 ~ 90%

外形尺寸 Outline Drawing:

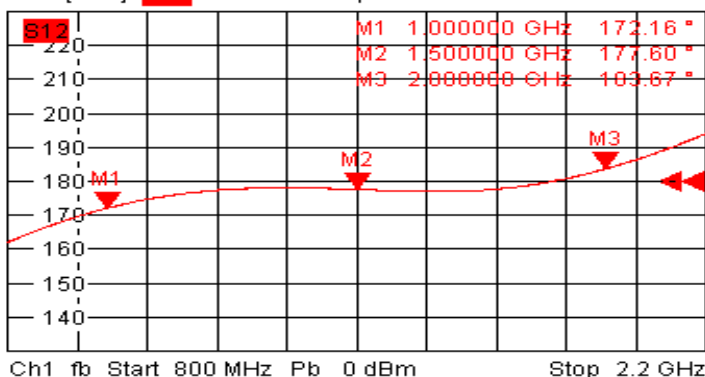
Unit: mm



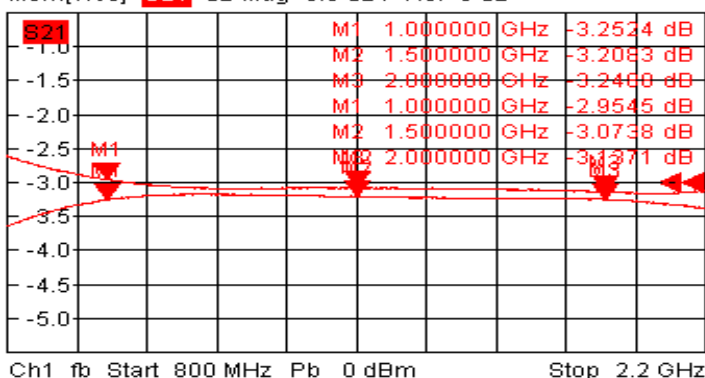
Trc1 **S11** SWR 100 mU/ Ref 1 U Cal 1



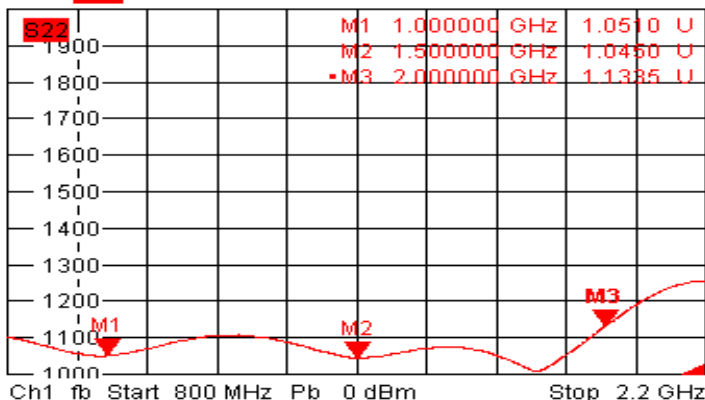
Trc2 **S12** Phase unwrap 10° / Ref 180° Cal Math2
Mem[Trc2] **S12** Phase unwrap 10° / Ref 180° Invisible



Trc3 **S21** dB Mag 0.5 dB / Ref -3 dB Cal 3
Mem[Trc3] **S21** dB Mag 0.5 dB / Ref -3 dB



Trc4 **S22** SWR 100 mU/ Ref 1 U Cal 4



Trc1 **S12** dB Mag 4 dB / Ref -22 dB Cal 1

