

**Part No.: RS5DC30-S**

**Power Splitter/Combiner 5 Way SMA 50Ω DC-3GHz**

**电气特性 Electrical:**

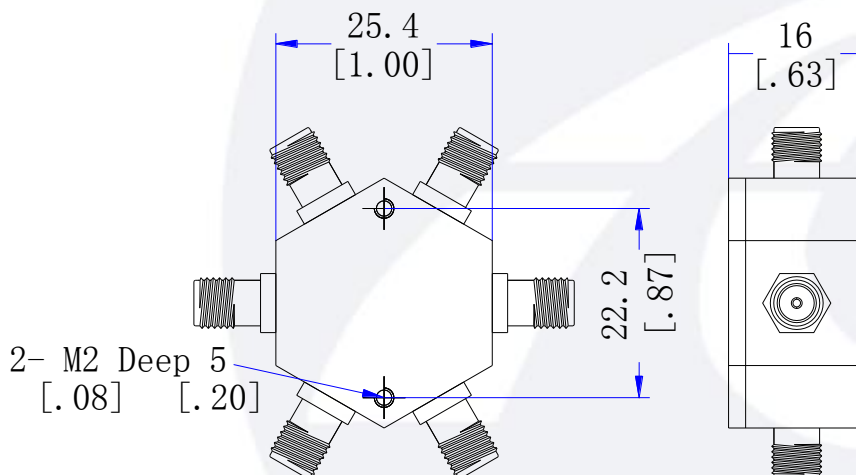
工作频率 Frequency Range: DC-3GHZ  
 插入损耗 Insertion Loss: ≤15dB  
 驻波 VSWR: 1.30: 1  
 耐功率 Power Handling: 1 Watt  
 阻抗 Impedance: 50 OHMS

**机械特性 Mechanical:**

温度范围 Temperature Range: -40° C - +85° C  
 接口 Connectors: SMA-Female  
 相对湿度 Relative Humidity: 0 ~ 90%

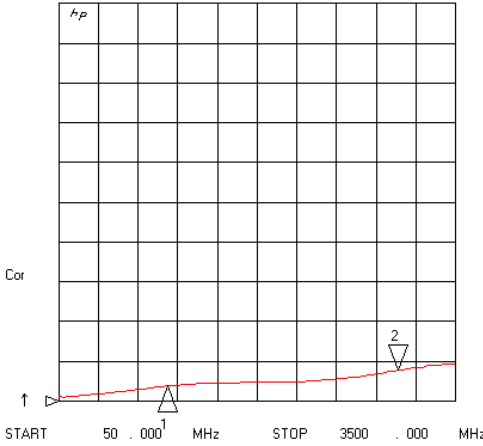
**外形尺寸 Outline Drawing:**

Unit: mm

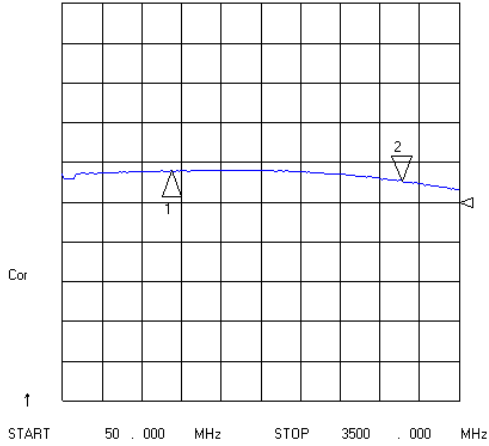


13 Jul 2019 05:29:33

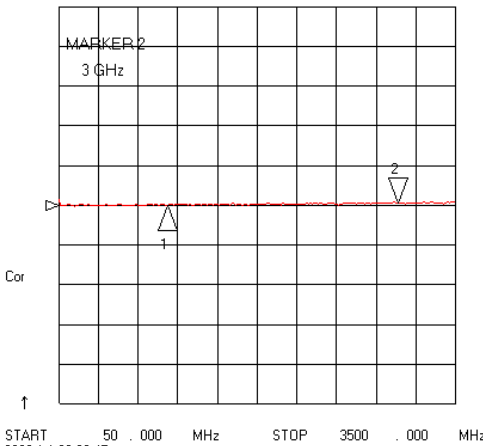
CH1 SWR 100 m / REF 1  
S11 2 : 1. 0790 3. 000 000 000 GHz



CH2 LOG 1.5 dB / REF -15 dB  
S21 2 : -14 . 187 dB 3. 000 000 000 GHz



CH3 LOG .8 dB / REF 0 dB  
S12/M 2 : . 05100 dB 3. 000 000 000 GHz



CH4 SWR 100 m / REF 1  
S22 2 : 1. 0464 3. 000 000 000 GHz

