

Part No.: RS2DC670-1.85

Power Splitter/Combiner 2 Way 1.85 50Ω DC to 67 GHz

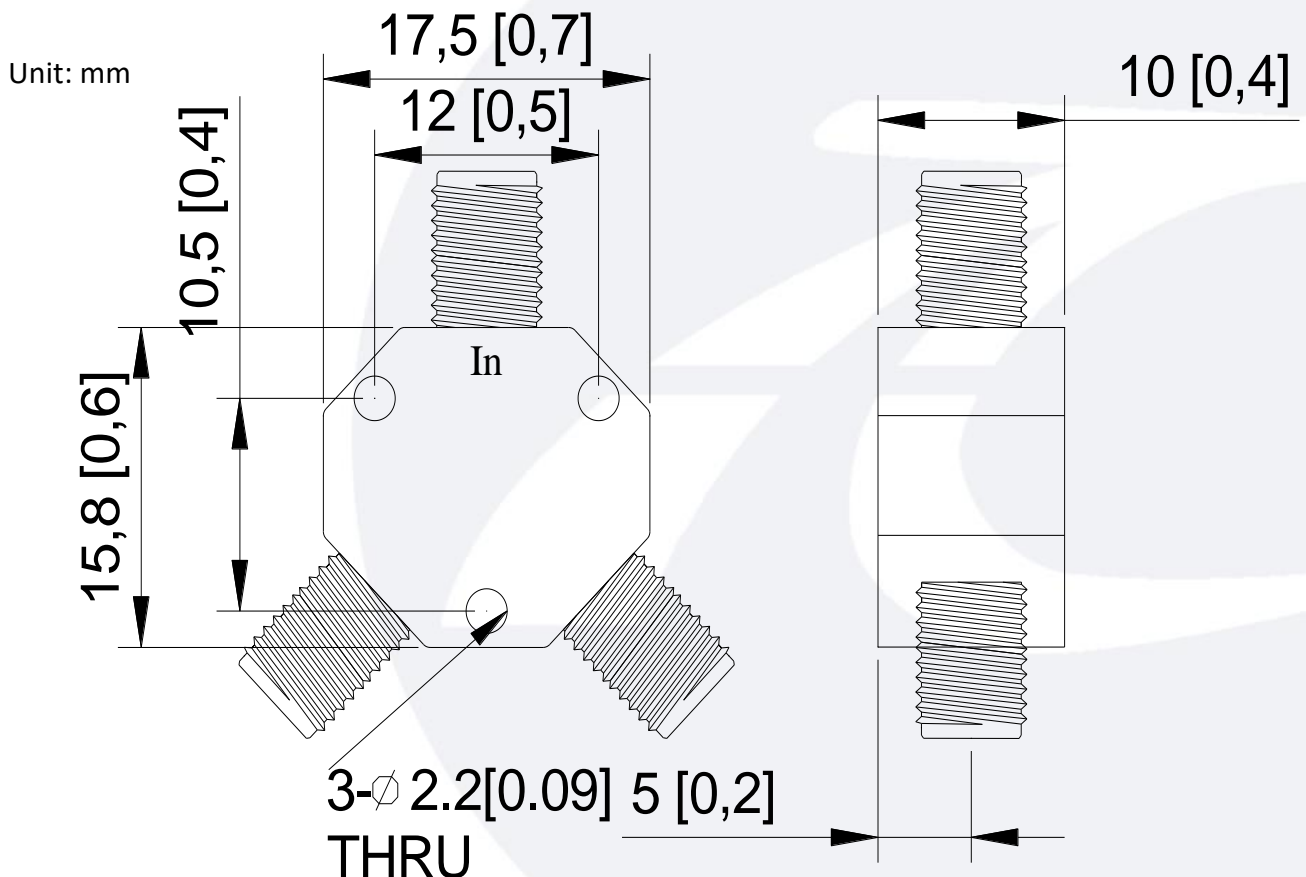
电气特性 Electrical:

工作频率 Frequency Range:	DC-67GHz
插入损耗 Insertion Loss:	$\leq 6 \pm 1.5\text{dB}$
驻波 VSWR:	$\leq 1.80 : 1$
	$\leq 2.50 : 1$
隔离 Isolation:	$\geq 8\text{dB}$
幅度平衡 Amplitude Balance:	$\leq \pm 1.2\text{dB}$
耐功率 Power Handling:	1 Watt
阻抗 Impedance:	50 OHMS

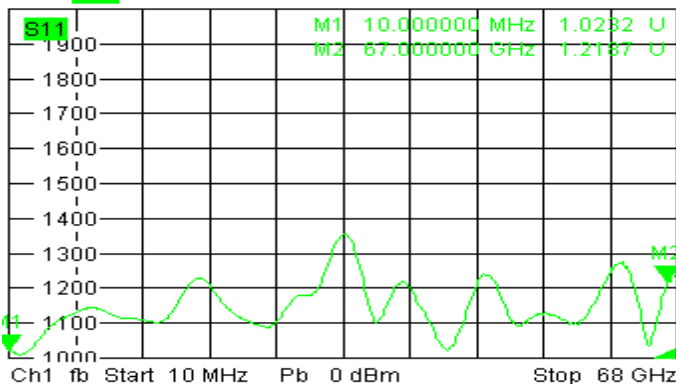
机械特性 Mechanical:

温度范围 Temperature Range:	$-55^{\circ}\text{C} - +85^{\circ}\text{C}$
接口 Connectors:	1.85-Female
相对湿度 Relative Humidity:	0 ~ 90%

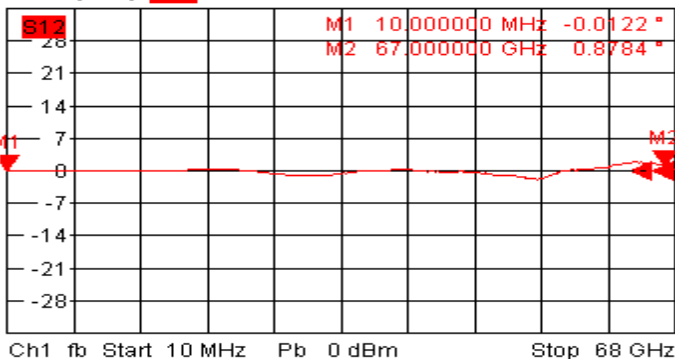
外形尺寸 Outline Drawing:



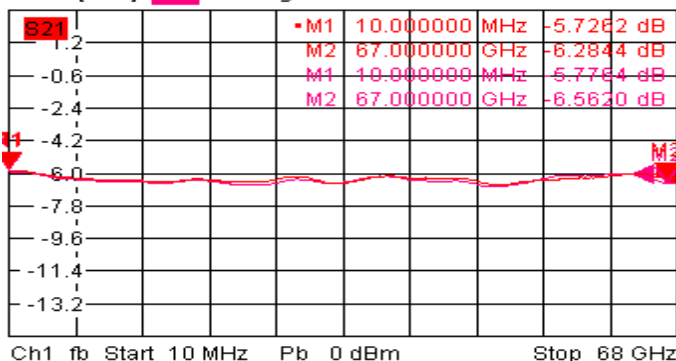
Trc1 **S11** SWR 100 mU/ Ref1 U Cal 1



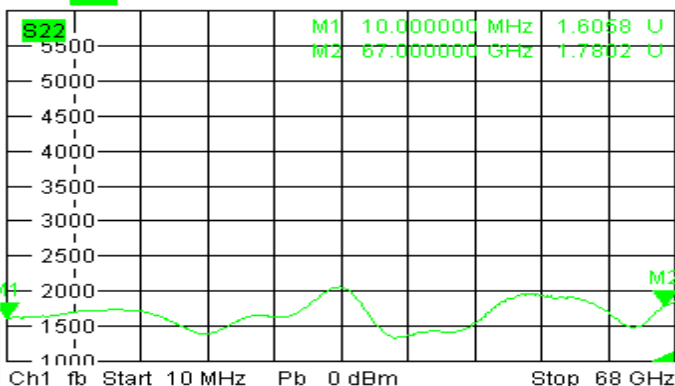
Trc2 **S12** Phase 7° / Ref 0° Cal Math 2
Mem5[Trc2] **S12** Phase 7° / Ref 0° Invisible



Trc3 **S21** dB Mag 1.8 dB / Ref -6 dB Cal 3
Mem6[Trc3] **S21** dB Mag 1.8 dB / Ref -6 dB



Trc4 **S22** SWR 500 mU/ Ref1 U Cal 4



Trc2 **S12** dB Mag 2 dB / Ref -12 dB Cal

2 (Max)

