

Part No: RS2DC400-K

Power Splitter/Combiner 2 Way 2.92mm 50Ω DC to 40GHz

电气特性 ELECTRICAL:

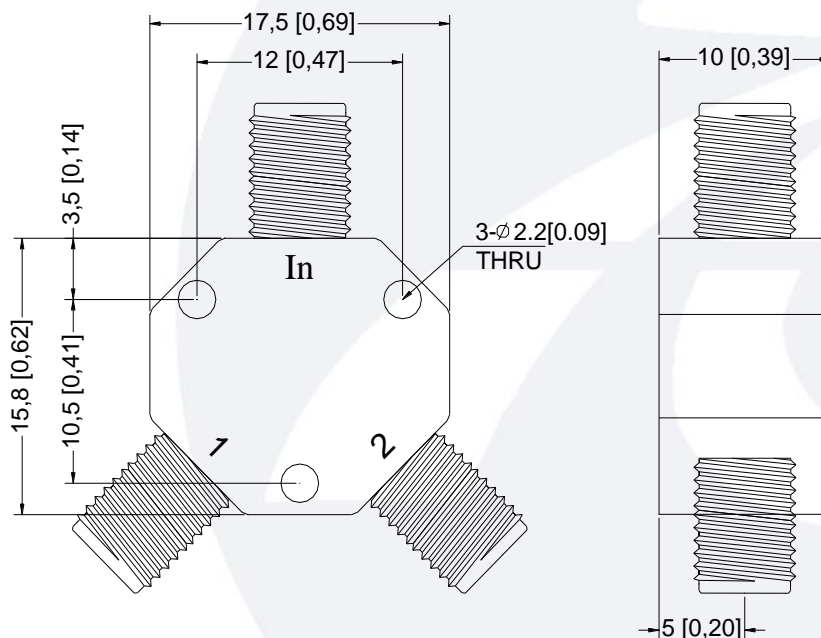
工作频率 Frequency Range: DC-40GHz
 插入损耗 Insertion Loss: $\leq 7.5\text{dB}$
 输入驻波 input VSWR: $\leq 1.5 : 1$
 输出驻波 output VSWR: $\leq 2.5 : 1$
 幅度平衡 Amplitude Balance: $\leq \pm 0.4\text{dB}$
 相位平衡 Phase Imbalance: $\leq 5\text{ deg}$
 耐功率 Power Handling: $\leq 1\text{ Watt}$
 阻抗 Impedance: 50 OHMS
 Material 材料: Aluminum

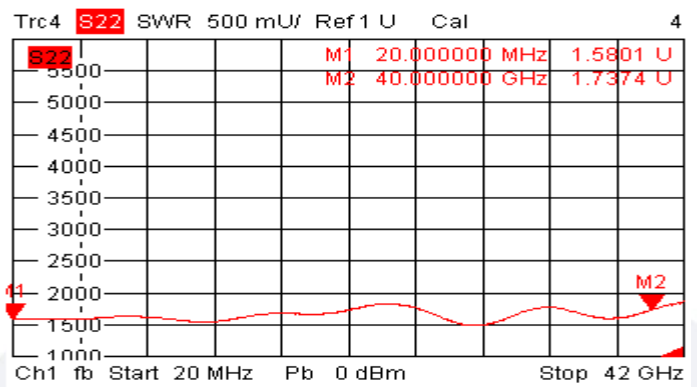
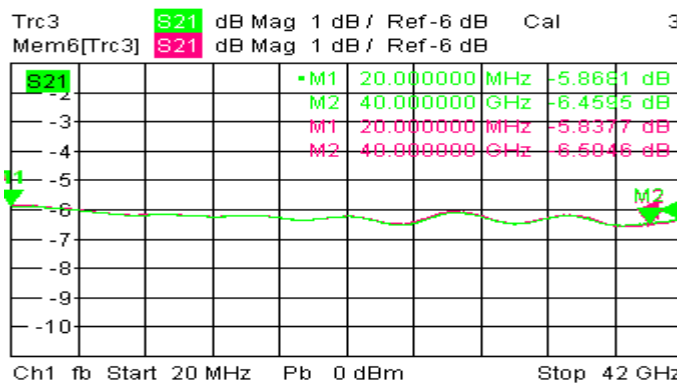
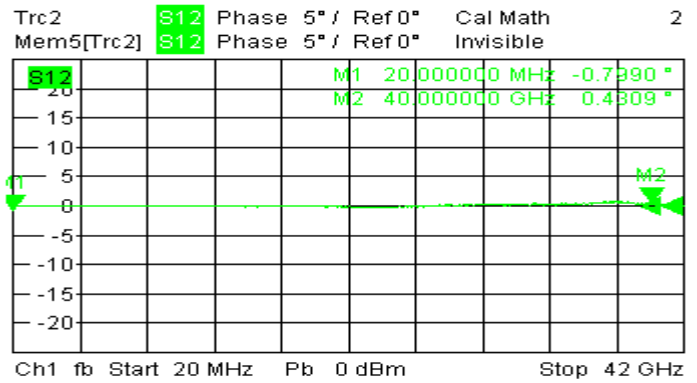
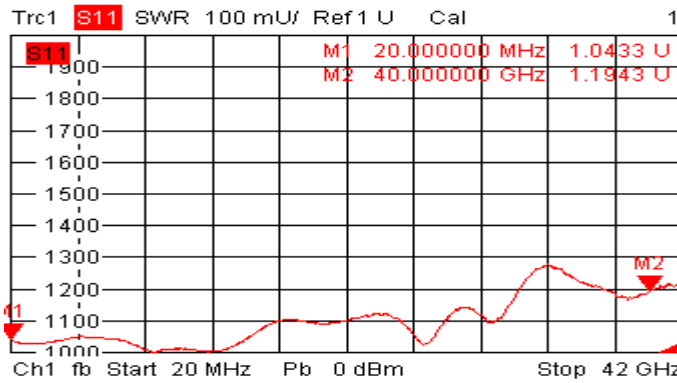
机械特性 MECHANICAL :

温度范围 Temperature Range: $-55^{\circ}\text{ C} - +85^{\circ}\text{ C}$
 接口 Connectors: 2.92MM-Female
 相对湿度 Relative Humidity: 0 ~ 90%

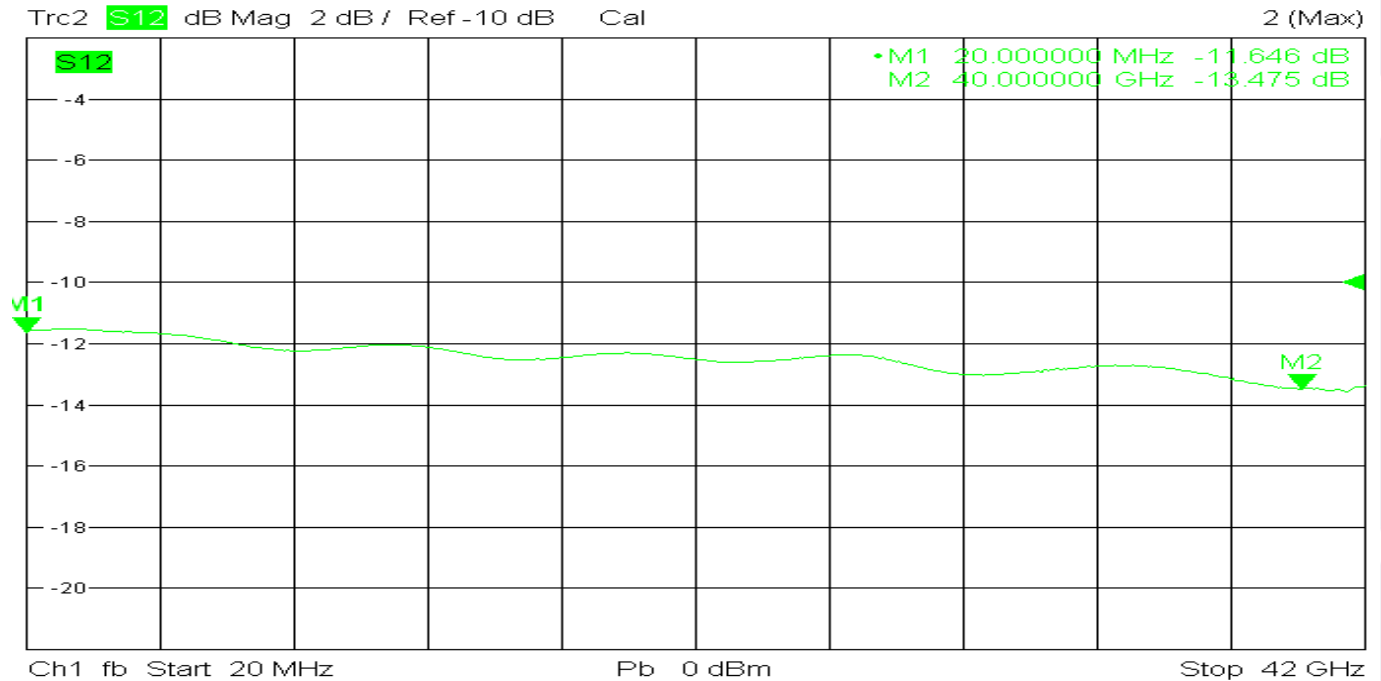
外形尺寸 Outline Drawing:

Unit: mm/IN





2/26/2020, 5:07 AM



2/26/2020, 5:10 AM