

Part No.:RS2DC180-S

Power Splitter/Combiner 2 Way SMA50Ω DC to 18GHz

电气特性 Electrical:

工作频率 Frequency Range:	DC-18GHz
插入损耗 Insertion Loss:	$\leq 6 \pm 1.5\text{dB}$
驻波 VSWR:	$\leq 1.70 : 1$
幅度平衡 Amplitude Balance:	$\leq \pm 1.0\text{dB}$
耐功率 Power Handling:	1 Watt
阻抗 Impedance:	50 OHMS

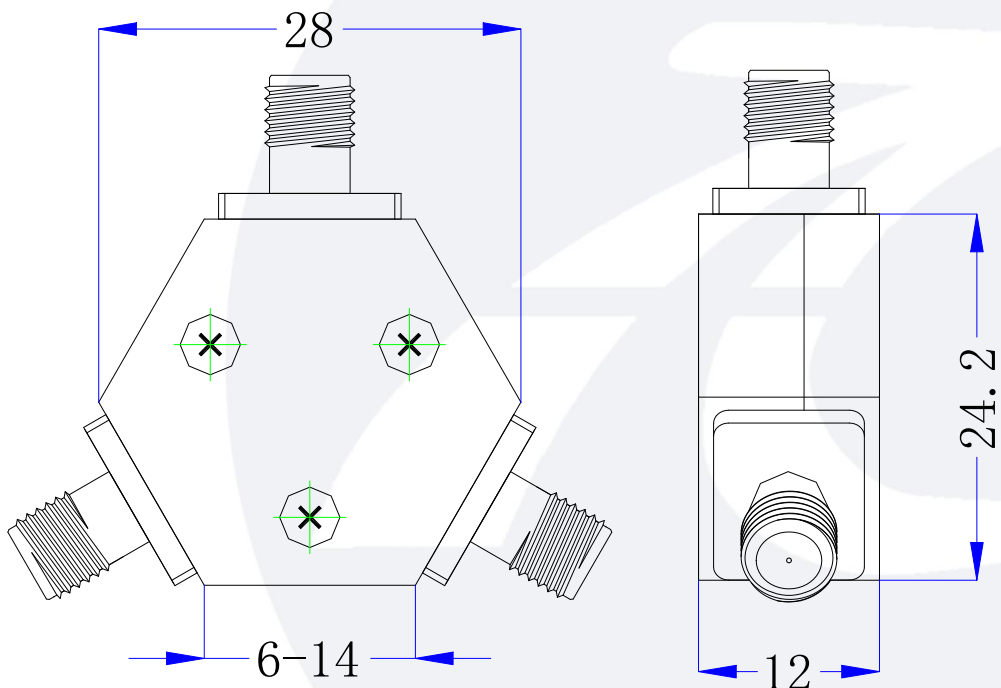


机械特性 Mechanical:

温度范围 Temperature Range:	$-55^{\circ}\text{C} - +85^{\circ}$
接口 Connectors:	SMA-Female
相对湿度 Relative Humidity:	0 ~ 90%

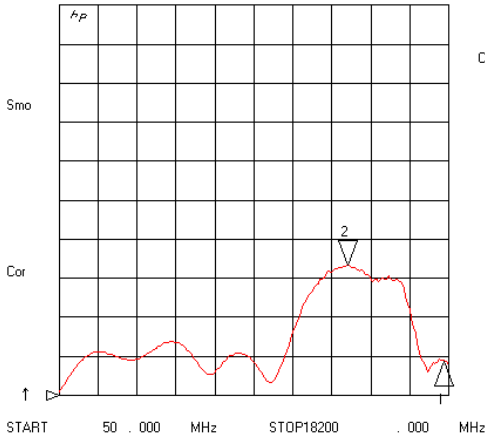
外形尺寸 Outline Drawing:

Unit: mm

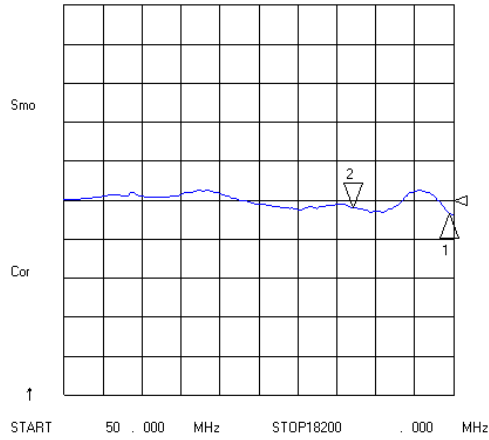


16 Jul 2017 06:00:43

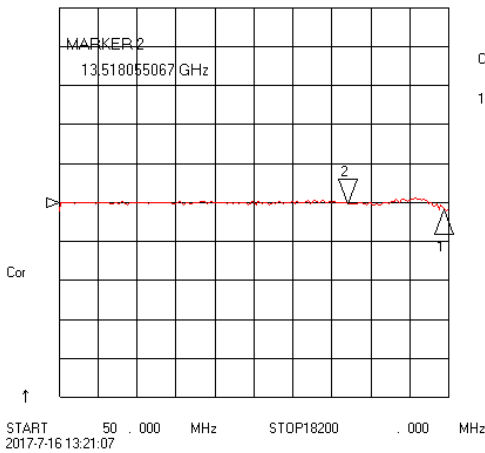
CH1 SWR 100 m / REF 1
S11 2 : 1.3343 13.518 055 067 GHz



CH2 LOG 1.5 dB / REF -6 dB
S21 2 : -6.2810 dB 13.518 055 067 GHz



CH3 LOG 1 dB / REF 0 dB
S21/M 2 : -.02700 dB 13.518 055 067 GHz



CH4 SWR 100 m / REF 1
S22 2 : 1.4223 13.518 055 067 GHz

