

**Part No.: RS2DC180-N**

**Power Splitter/Combiner 2 Way N 50Ω DC to 18 GHz**

### 电气特性 Electrical:

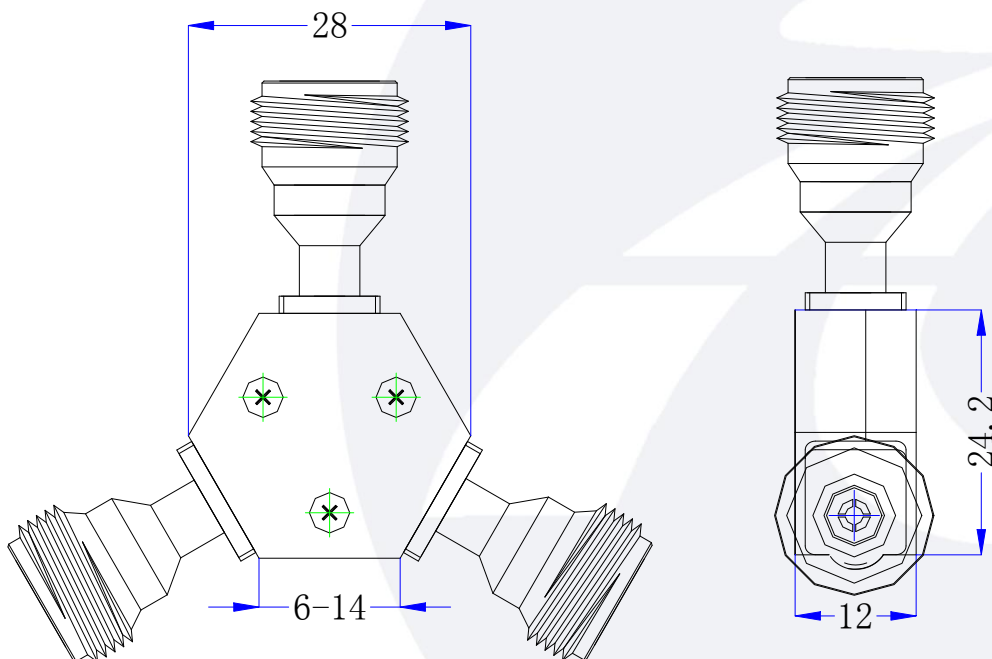
工作频率 Frequency Range: DC-18GHz  
 插入损耗 Insertion Loss:  $\leq 6 \pm 1.8\text{dB}$   
 驻波 VSWR:  $\leq 1.8 : 1$   
 幅度平衡 Amplitude Balance:  $\leq \pm 1.0\text{dB}$   
 相位平衡 Phase Balance:  $\leq \pm 8^\circ$   
 耐功率 Power Handling:  $\leq 1\text{ Watt}$   
 阻抗 Impedance: 50 OHMS

### 机械特性 Mechanical :

温度范围 Temperature Range:  $-45^\circ\text{ C} - +85^\circ\text{ C}$   
 接口 Connectors: N-Female  
 相对湿度 Relative Humidity: 0 ~ 90%

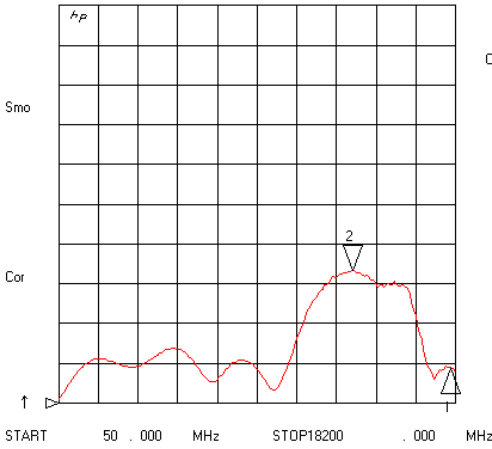
### 外形尺寸 Outline Drawing:

Unit: mm



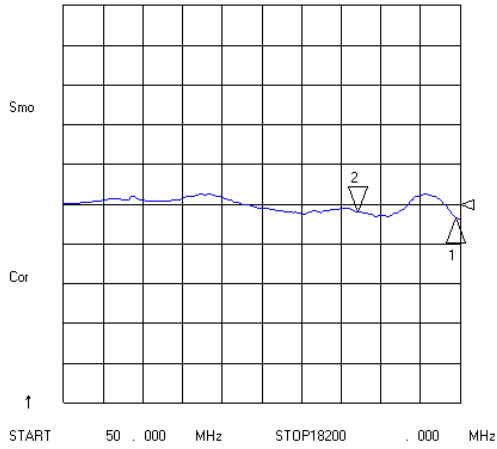
16 Jul 2017 06:00:43

CH1 SWR 100 m / REF 1  
S11 2 : 1.3343 13 . 518 055 067 GHz



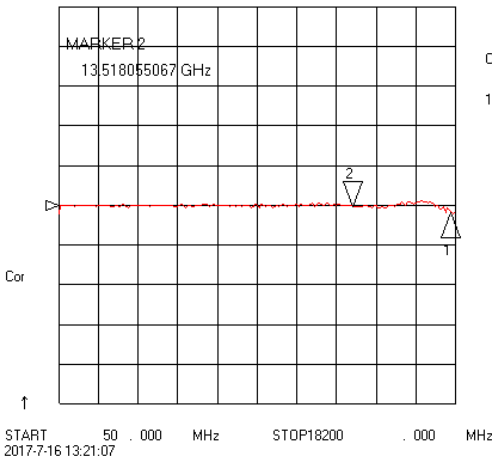
CH1 Markers  
1 : 1.0876  
18 . 0000 GHz

CH2 LOG 1.5 dB / REF -6 dB  
S21 2 : -6 . 2810 dB 13 . 518 055 067 GHz



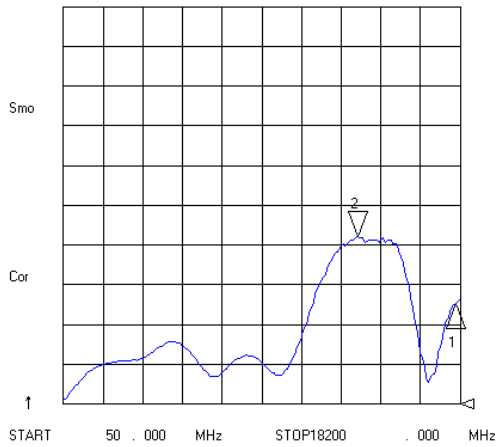
CH2 Markers  
1 : -6 . 4900 dB  
18 . 0000 GHz

CH3 LOG 1 dB / REF 0 dB  
S21/M 2 : - . 02700 dB 13 . 518 055 067 GHz



CH3 Markers  
1 : - . 17000 dB  
18 . 0000 GHz

CH4 SWR 100 m / REF 1  
S22 2 : 1.4223 13 . 518 055 067 GHz



CH4 Markers  
1 : 1.2530  
18 . 0000 GHz