

**Part No: RAXXA5-S-26.5**

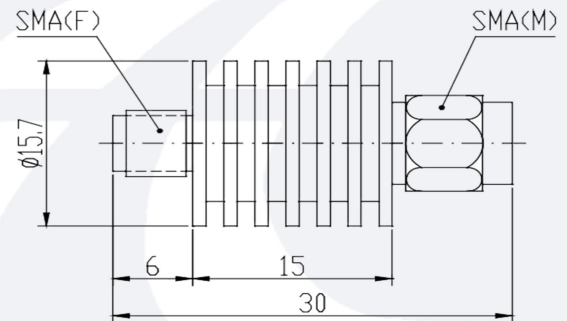
**SMA Attenuators • Male to Female • DC – 26.5 GHz - 5 W**

**电气特性 ELECTRICAL**

- **Frequency Range** DC – 26.5 GHz
- **Attenuation (dB)**
  - 1 through 9 ± 1.0 dB
  - 10 .....± 1.0 dB
  - 20 ..... ± 1.5 dB
  - 30 ..... ± 1.5 dB
  - 40 ..... ± 1.5 dB
  - 50 ..... ± 1.5 dB
- **VSWR (MAX)**
  - DC – 4 GHz..... 1.15 : 1
  - 4 – 8 GHz..... 1.20 : 1
  - 8 – 12.4 GHz..... 1.25 : 1
  - 12.4 – 18 GHz....1.30 : 1
  - 18 – 26.5 GHz....1.35 : 1
- **Impedance** 50 Ohms
- **RF Power Rating** 5 Watts Average at 25°C  
 PEAK: 500 Watts  
 (5 μSec Pulse Width , 1% Duty Cycle)

**机械特性 MECHANICAL**

- **Temperature Range** -55°C - +125°C
- **Connectors** Brass ,Nickel or Gold Plated
- **Connector Pins** Beryllium Copper, Gold Plated
- **Body** Black, Finned Aluminum
- **Insulators** PTFE, Virgin Electrical Grade



**订货信息 ORDER**

Model Number : RAXXA5-S-26.5