

Part No: TAXXA2-S-26.5

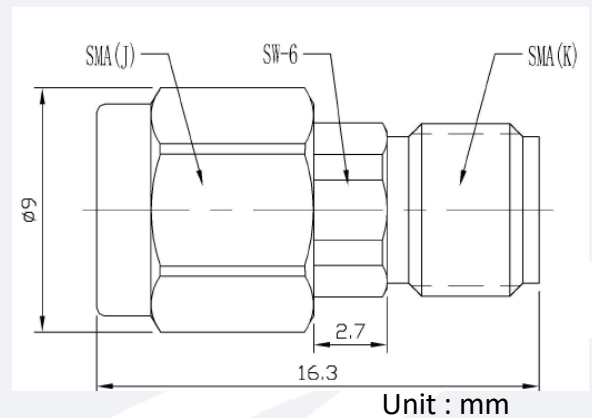
SMA Attenuators • Male to Female • DC – 26.5GHz-2W

电气特性 ELECTRICAL

- **Frequency Range** DC – 26.5 GHz
- **Attenuation (dB)**
 - 1 through 6 ± 0.5 dB
 - 7 through 10 ± 0.5 dB
 - 20 ± 0.5 dB
 - 30 ± 0.6 dB
- **VSWR (MAX)** DC – 26.5 GHz.....1.2 : 1
- **Impedance** 50 Ohms
- **RF Power Nominal** 2 Watts Average at 25°C
 PEAK: 200 Watts
 (5 μSec Pulse Width , 0.05% Duty Cycle)

机械特性 MECHANICAL

- **Temperature Range** -55°C - +125°C
- **Connectors** Passivated Stainless Steel
- **Connector Pins** Beryllium Copper, Gold Plated
- **Body** Passivated Stainless Steel
- **Insulators** PTFE, Virgin Electrical Grade



订货信息 ORDER

Model Number : TAXXA2-S-26.5
 └──────────┬──────────┘
 dB Value